



414 COMMERCE DRIVE, FORT WASHINGTON, PA. 19034

ENGINEERING DRAWINGS

For

HPV-2 MODEL 5215 DISPLAY GENERATOR

Document AR94-V-EDWG

May 1977

NOTE

This manual is a modified version of AYDIN CONTROLS document 150-6040-005A, reflecting the options supported by Honeywell in the HPV-2 Video Display Subsystem used on HS4400 and TDC 4500 Process Computer Systems. Due to the complexity of the subsystem it is not possible to troubleshoot and repair this equipment in the field through logic and circuit analysis. Therefore, troubleshooting and repair will be done only through board and subassembly replacement, hence, engineering logic drawings and printed circuit board drawings and parts lists are not included in this documentation.

CONTENTS

Drawing/
Plate No.

FIRST SECTION - Data Flow Block Diagrams

	Master Data Flow Block Diagram (2 shts)	01-5285
1	Sync Generator TVD 191 Data Flow Block Diagram	01-5289
	Sync Generator TVD 191 Refresh Data Flow Diagram	06-5089
2	I/O Card TVD 193 (DR11C) Data Flow Block Diagram	01-5287
3	Control Card TVD 194 Data Flow Block Diagram (2 shts)	01-5281-A
4	Video Card TVD 190 Data Flow Block Diagram	01-5288
5	Edit Control Card TVD 192 Data Flow Block Diagram (2 shts)	01-5286
6	Data Trend Block Diagram	01-5425

SECOND SECTION - Keyboard Output Select Option

	Assembly Keyboard Bracket	305-5003
	Assembly, Chassis 5115 KB05 Terminal	351-5066
	Card Assembly Type REL - 001 - (2 shts)	460-5114

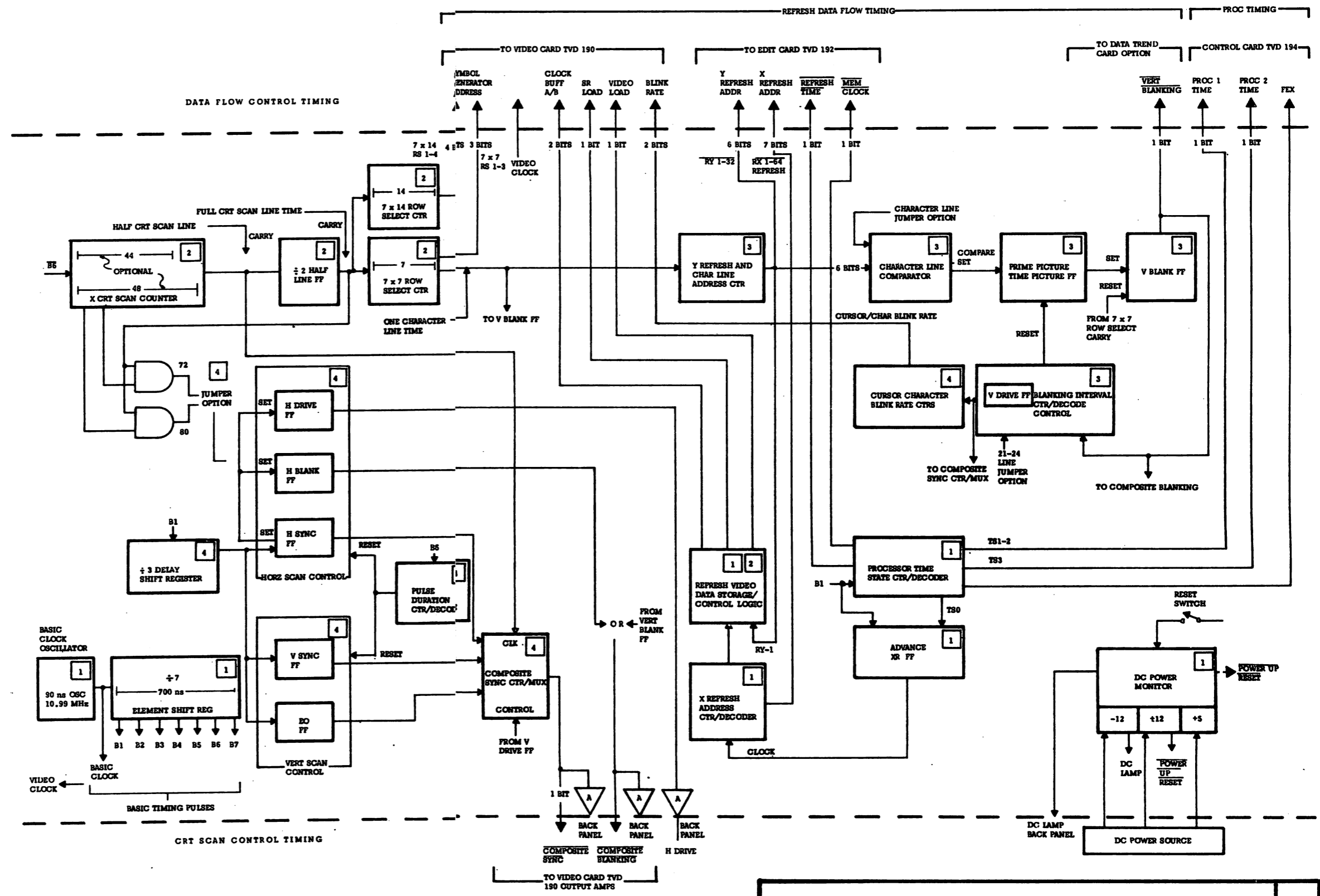
THIRD SECTION - Engineering Logic & Assembly Drawings

	Assembly Display Generator, Model 5215P-2	352-5056
	Dimensional Outline Drawing of 5215 Horizontal Configuration	353-5035
	Cable Assembly Drawing for 5215 Horizontal Configuration	351-5096

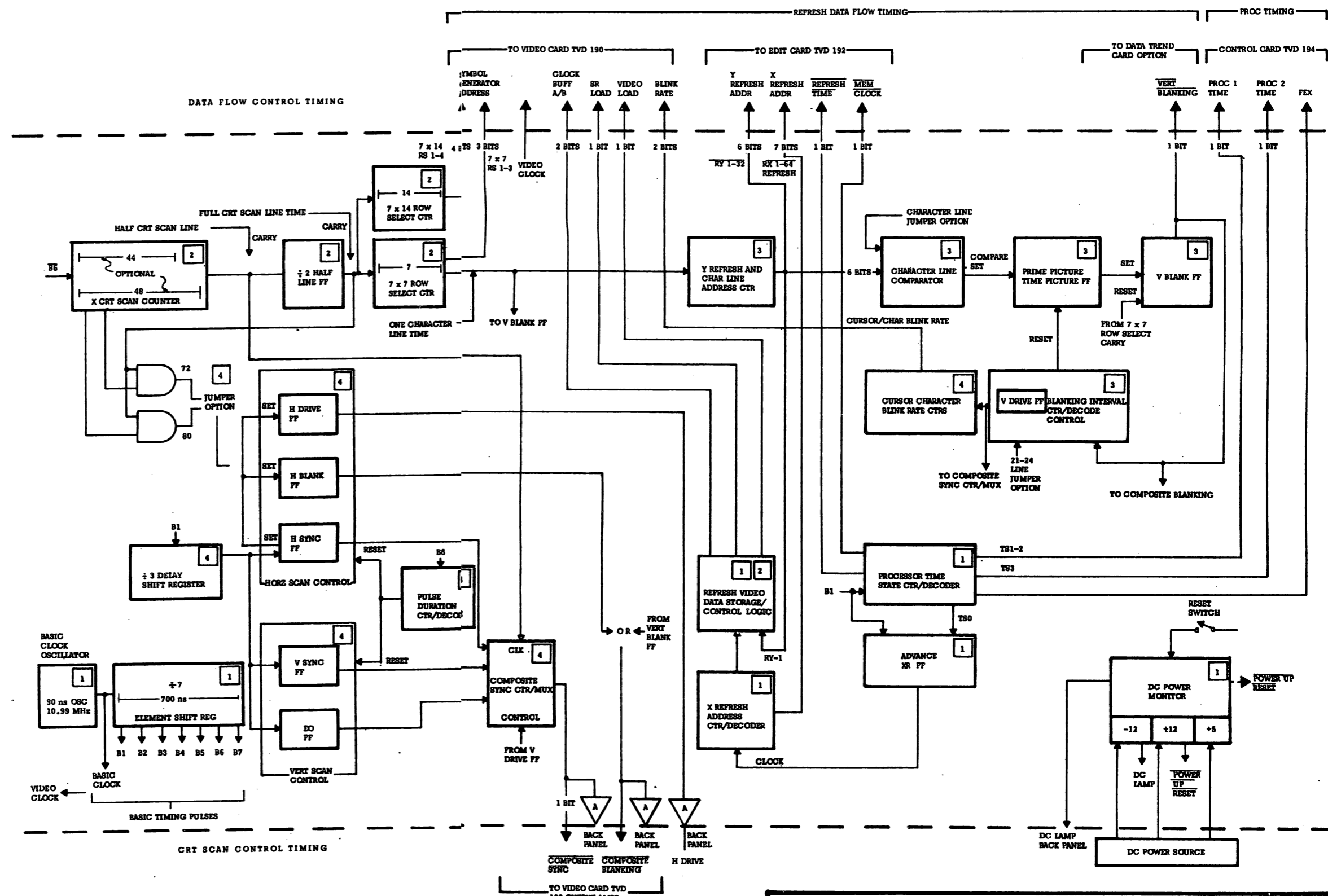
FOURTH SECTION - Back Plane Wiring Lists

	Model 5215P-2, 4-Channel Horizontal Configuration	
	Maintenance List	C-1 thru C-19
	Card Image List	C-11 thru C-34

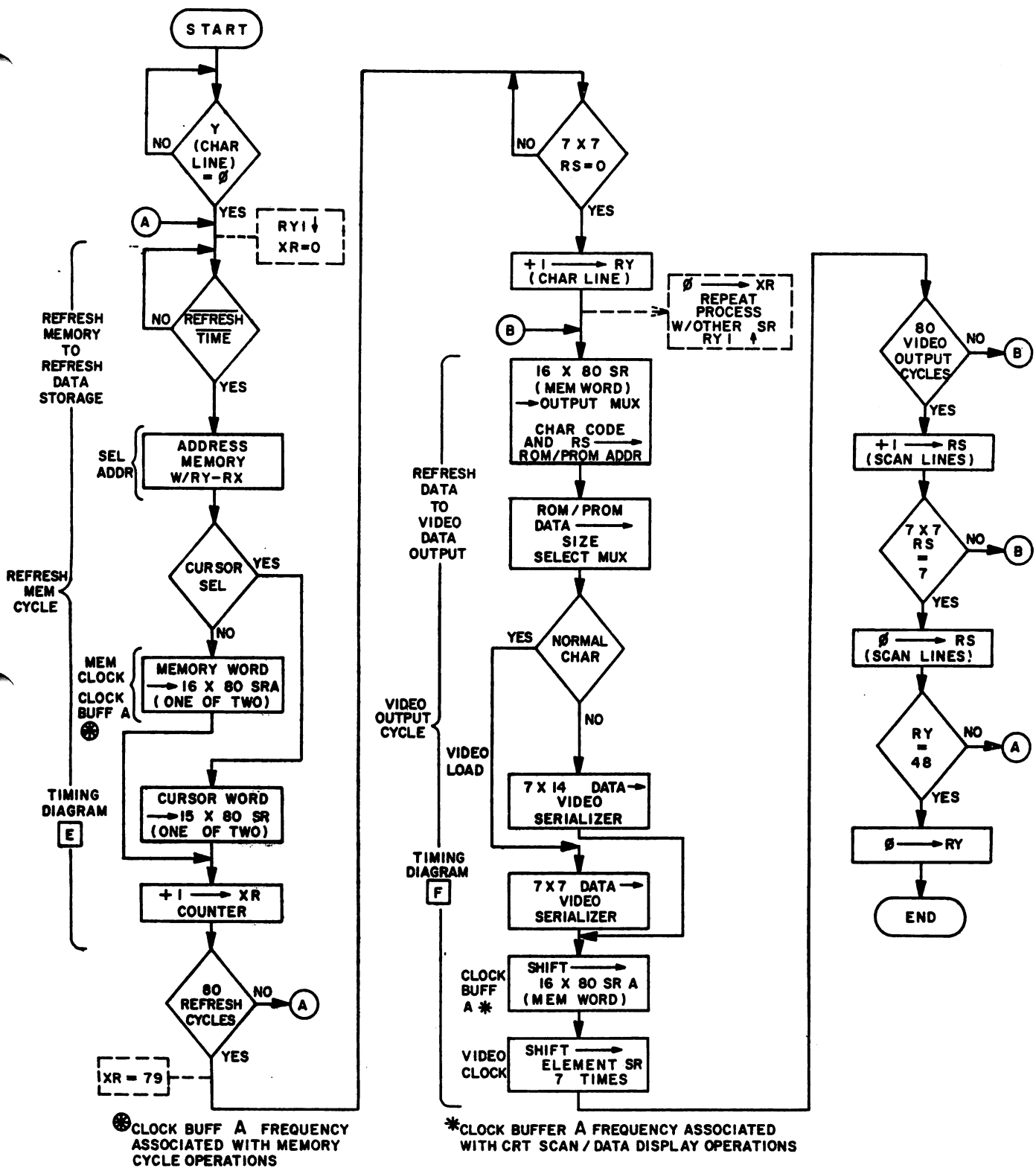
**FIRST SECTION
DATA FLOW BLOCK DIAGRAMS**



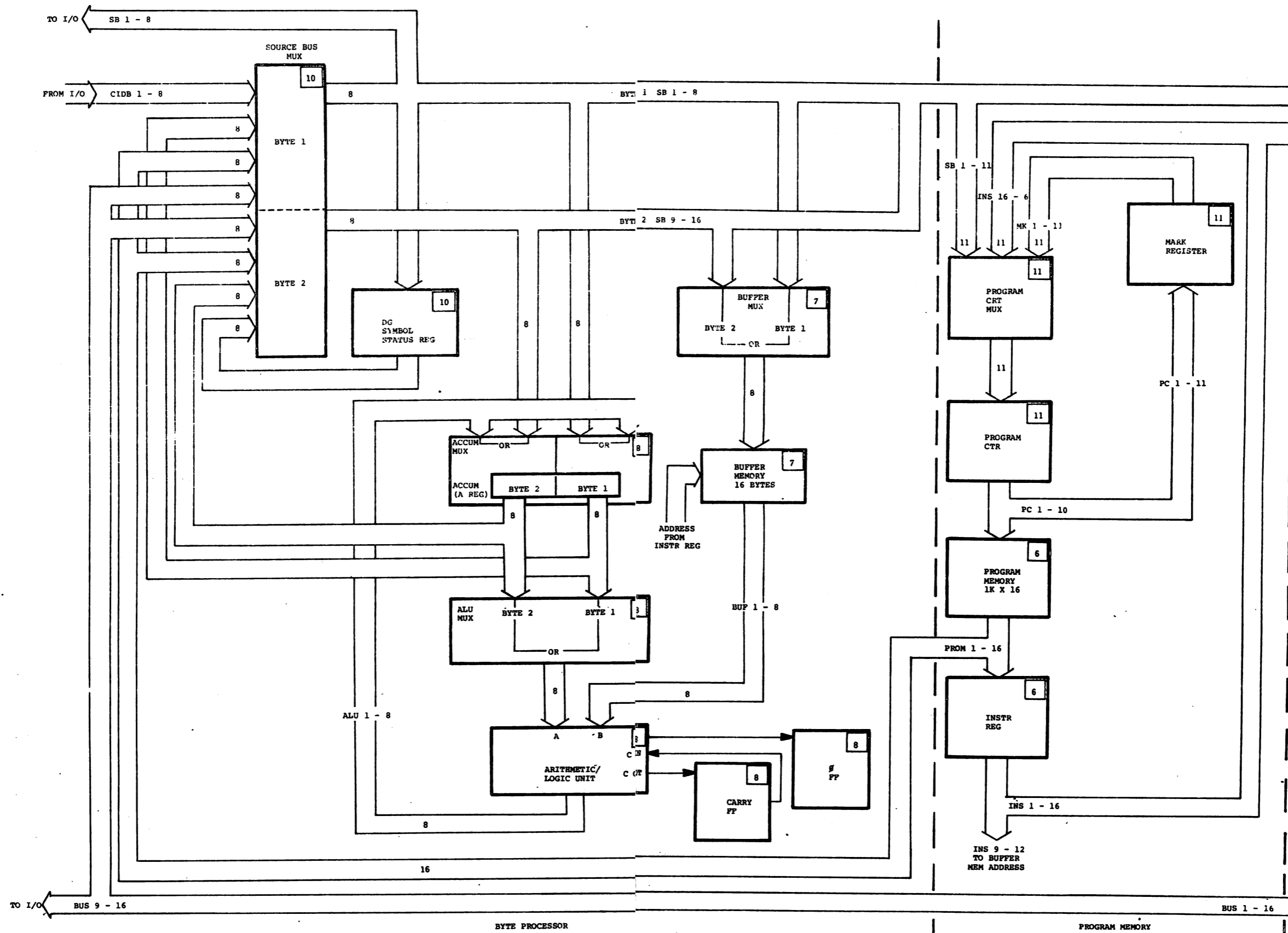
01-5289 SYNC GENERATOR TVD 191 TIMING FLOW BLOCK DIAGRAM 1



01-5289 SYNC GENERATOR TVD 191 TIMING FLOW BLOCK DIAGRAM 1



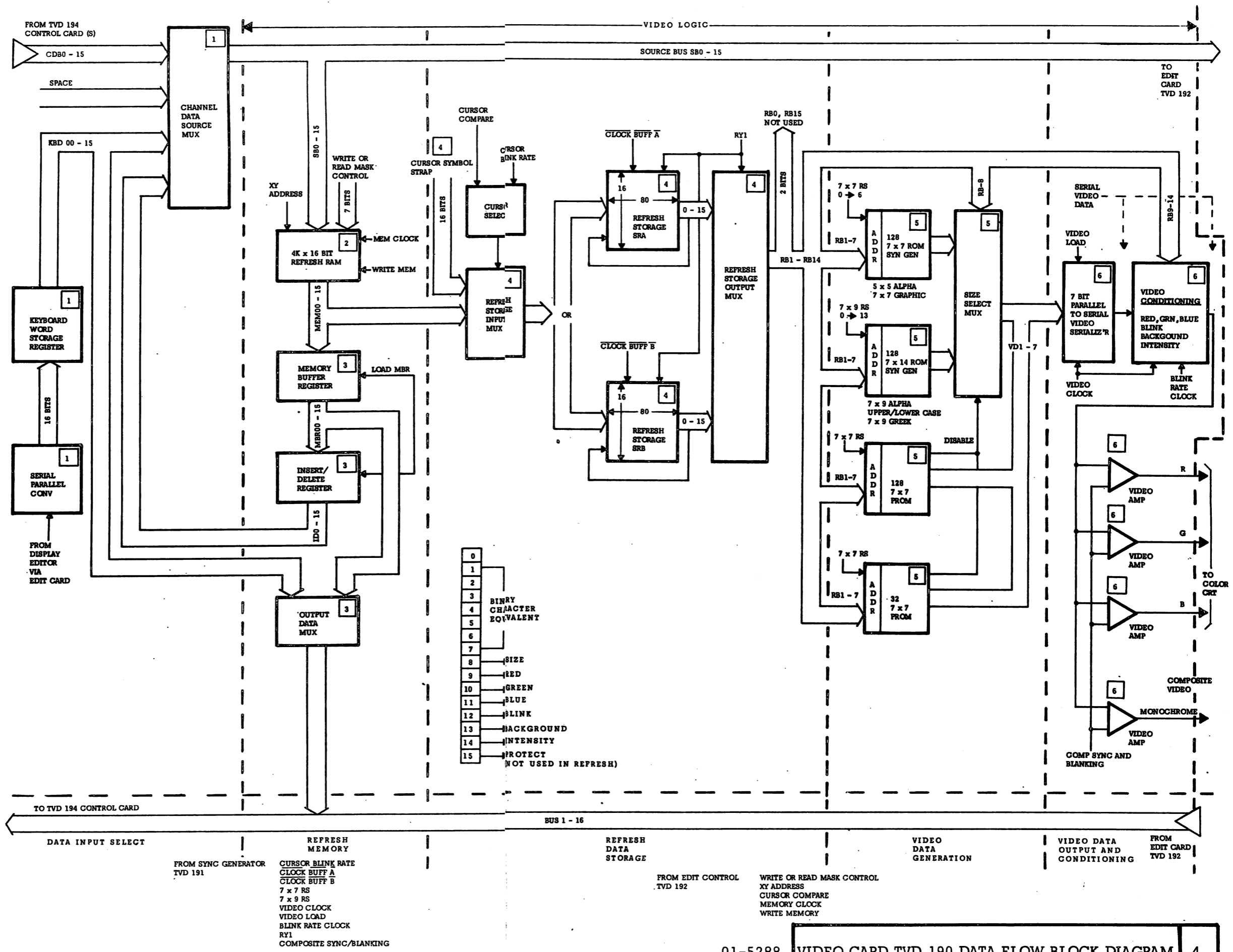
SYNC GENERATOR TVD 191
 REFRESH DATA FLOW CHART



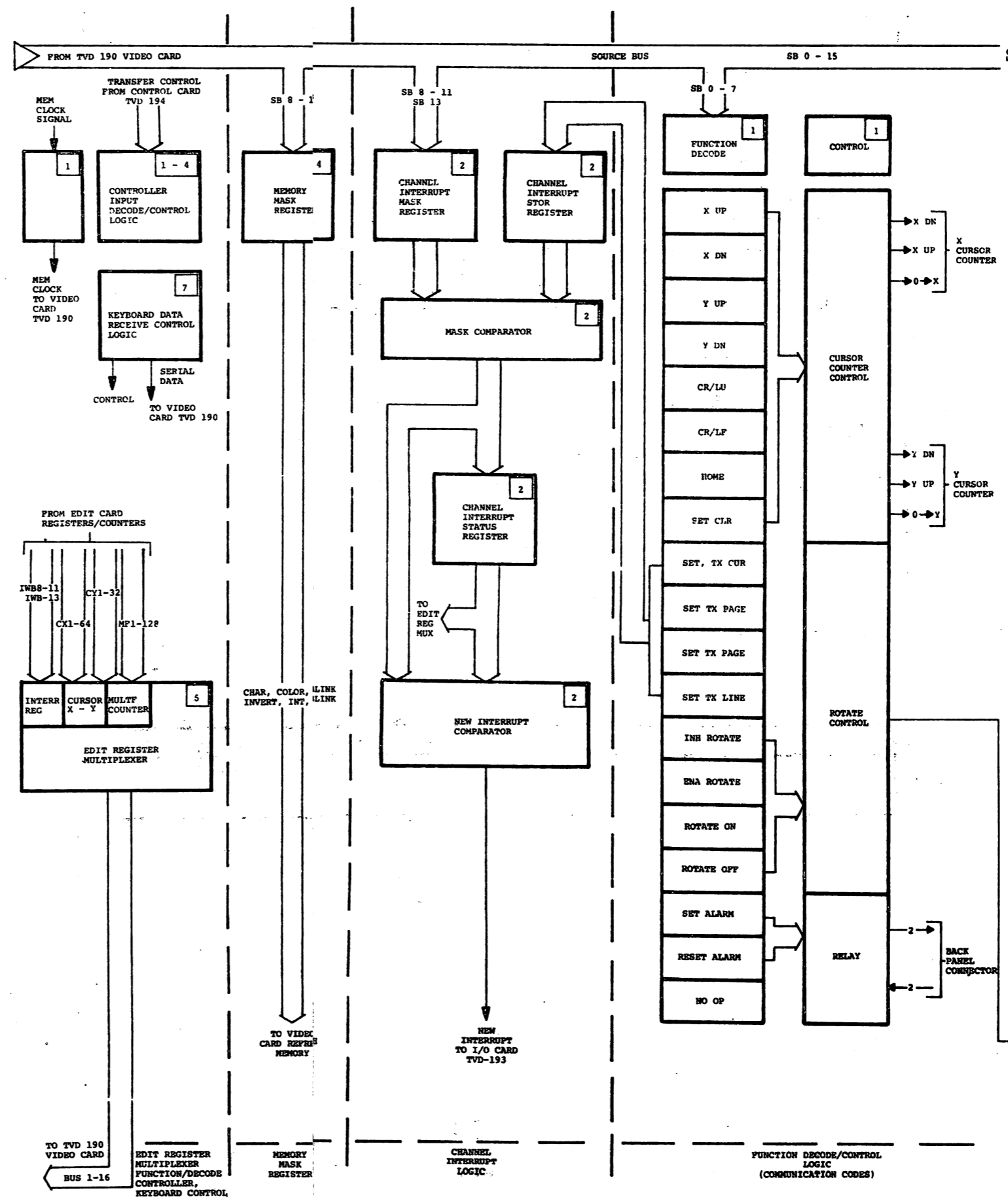
See A of sheet 2

See B of sheet 2

See C of sheet 2

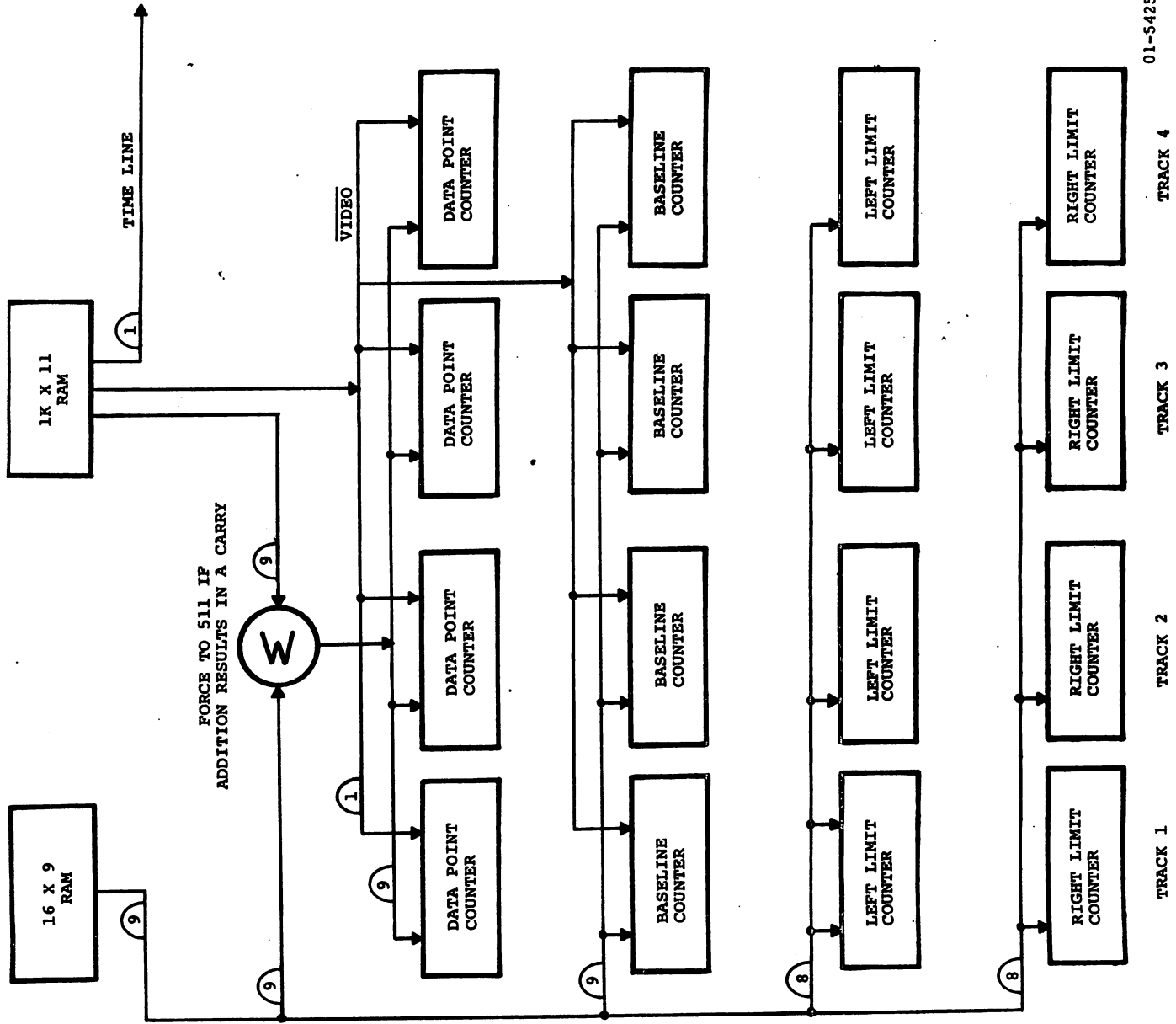


01-5288 VIDEO CARD TVD 190 DATA FLOW BLOCK DIAGRAM 4



See A of sheet 2

See B of sheet 2



01-5425

TRACK 4

TRACK 3

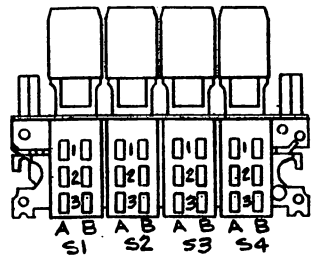
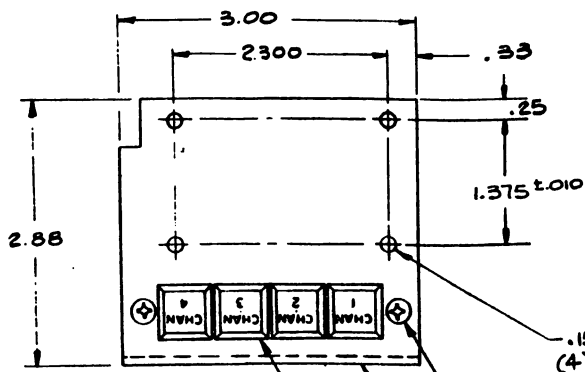
TRACK 2

TRACK 1

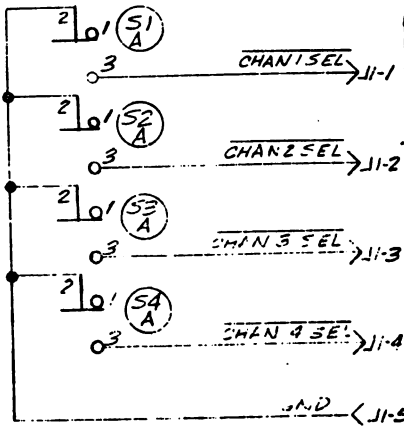
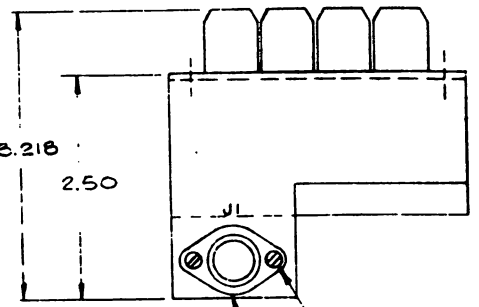
DATA TREND BLOCK DIAGRAM 6

SECOND SECTION
KEYBOARD OUTPUT SELECT OPTION

ZONE/LTR	REVISIONS	DESCRIPTION	DATE	APPROVED
B	REV. PER ECO 305-5003 B		4/29/75	[Signature]
C	PER ECO 305-5003 C		TS 11/19/75	[Signature]
D	REVISED PER ECO 305-5003 D	C → D	4/1/76	[Signature]



FROM	TO	TO	TO	TO
J1-1	S1A-3	—	—	—
J1-2	S2A-3	—	—	—
J1-3	S3A-3	—	—	—
J1-4	S4A-3	—	—	—
J1-5	S1A-2	S2A-2	S3A-2	S4A-2



QTY	ITEM	FSCM	CONTROL PT. NO.	MFR. PT. NO.	DESCRIPTION	SYM/NOTE
17	AR 16	33214	113-008-001	MIL-W-4878 D/I	#26 AWG STRANDED WIRE	
15						
14	AR 13	96906	127-105-025	MS24693-25	SCREW, 100° FLAT HD, 6-32 x 5/16 L	
12	AR 12	72962	129-011-004	22MN-26	NUT, HEX, SELF LOCKING #2-56	
11	AR 10	96906	127-109-004	MS51957-4	SCREW, PN. HD., #2-56 x 5/16 L	
8	1	82389	108-914-010	616AGF	CONNECTOR, RECEPTACLE	
7	1	6	82389	107-139-002	GG041K-506	SWITCH BANK (4 POS.)
5	1	4	33214	215-1058-001		BRACKET, KEYBOARD
3						
2						
1	33214	305-5003-D			ASSY. KYBD. BRACKET	

NOTES:
 1. S1B, S2B, S3B AND S4B NOT USED
 2. ENGRAVE KEYTOPS OF ITEM 6 AS PER DRAWING 803-5077.

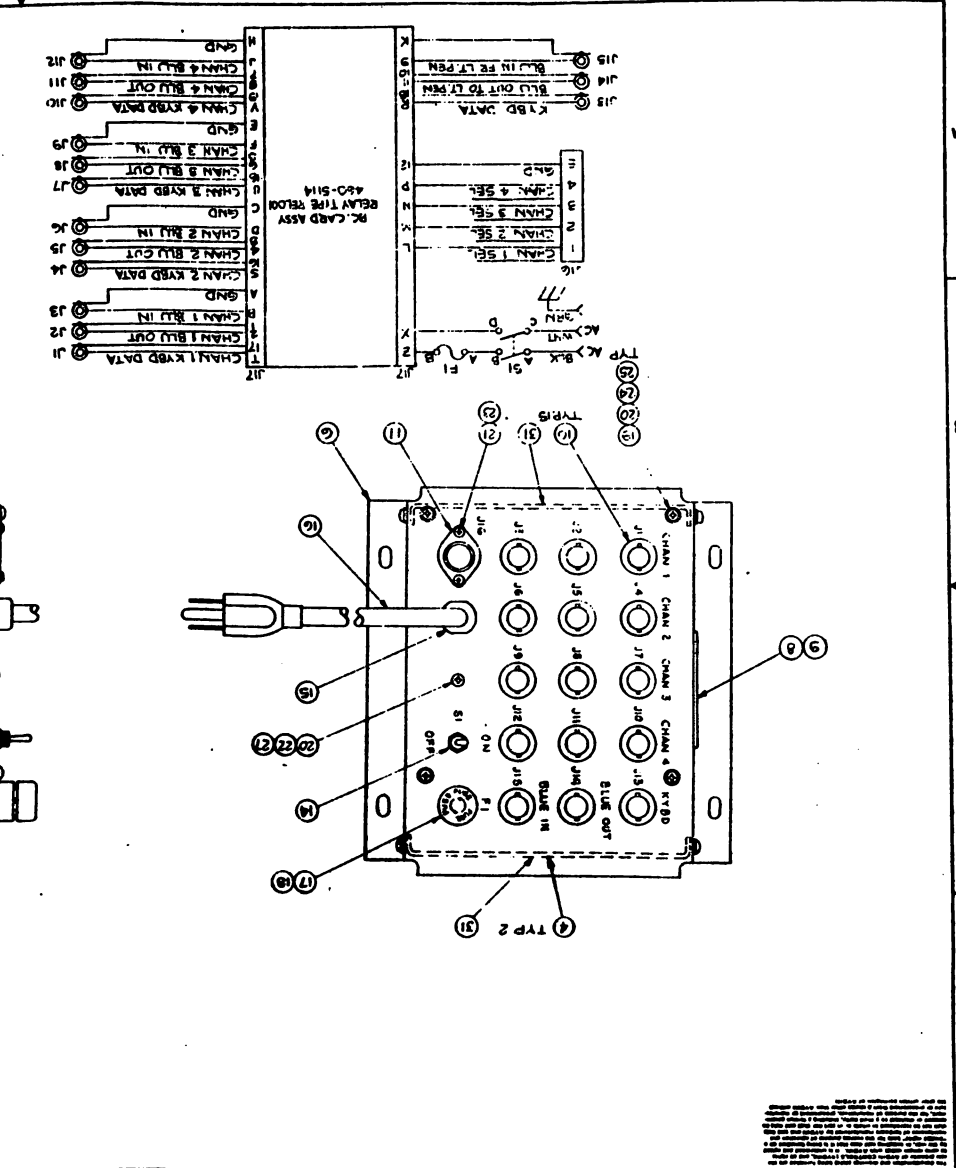
CONTROLS SHOP STANDARDS ARE AN INTEGRAL PART OF THIS DRAWING (228-520)

CONTRACT NO.	APPROVED	DATE	SIZE	CODE	MENT NO.	REV
B602	[Signature]	6-18-75	C	33214	305-5003-D	D

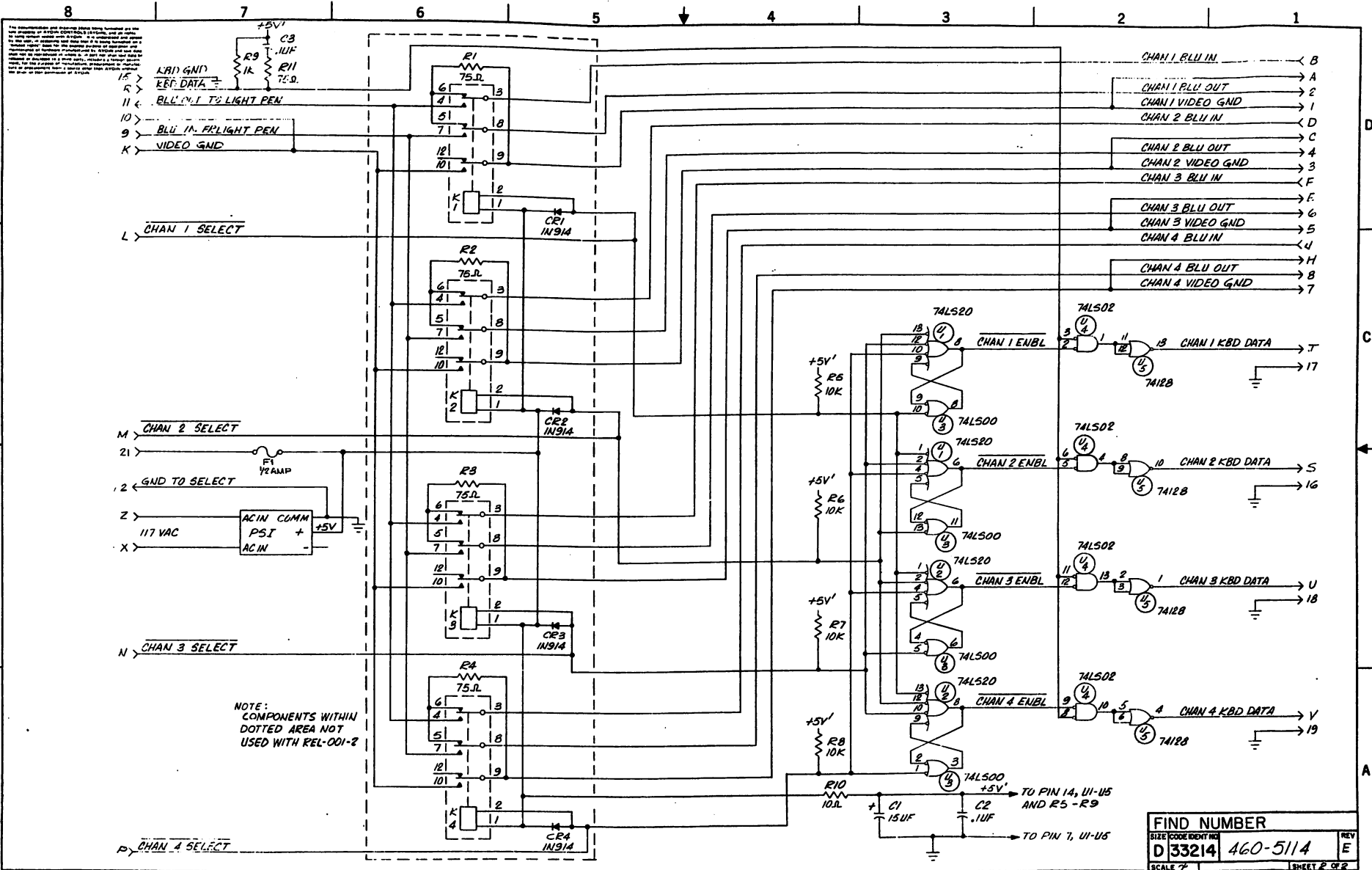
LIST OF MATERIALS
 UNLESS OTHERWISE SPECIFIED DIMENSIONS ARE IN INCHES AND APPLY BEFORE FINISH SURFACE ROUGHNESS 125 TOLERANCE ON FRACTIONS DECIMALS ANGLES ± 1/64 ± .0005 ± 1/4
 DRAWN BY S. CRAYMER 4-7-75 DATE APRIL 23/75
 CHECKED BY [Signature] APRIL 23/75
 DRAFTING BY [Signature] 6-15-75
 FINISHER BY [Signature] 6-11-75
 MANUF [Signature]
 APPROVED [Signature] 6-18-75

CONTRACT NO. B602
 AYDIN CONTROLS
 PCAT WASHINGTON, PENNSA. 19008
 ASSY. KYBD. BRACKET
 SCALE 1/1
 SHEET 1 OF 1

QTY	REF	DESCRIPTION	UNIT	QTY	REF	DESCRIPTION	UNIT
2	31	805091 1/2-200 001		1	30	33214 1/4-5000-001	
1	1	100719 108-219-007		1	1	100719 108-219-007	
1	1	173633 118-204-001		1	1	173633 118-204-001	
1	1	14949 108-202-001		1	1	14949 108-202-001	
24	24	96906 118-200-005		24	24	96906 118-200-005	
23	23	72622 119-011-004		23	23	72622 119-011-004	
22	22	96906 118-200-005		22	22	96906 118-200-005	
21	21	96906 118-200-005		21	21	96906 118-200-005	
20	20	56906 127-103-004		20	20	56906 127-103-004	
19	19	04540 128-018-024		19	19	04540 128-018-024	
18	18	75918 111-005-005		18	18	75918 111-005-005	
17	17	71000 121-903-001		17	17	71000 121-903-001	
16	16	70308 115-208-406		16	16	70308 115-208-406	
15	15	28520 121-401-004		15	15	28520 121-401-004	
14	14	09593 107-204-011		14	14	09593 107-204-011	
13	13	00779 108-219-004		13	13	00779 108-219-004	
12	12	00779 108-219-004		12	12	00779 108-219-004	
11	11	82389 108-219-004		11	11	82389 108-219-004	
10	10	14949 108-202-001		10	10	14949 108-202-001	
9	9	33214 118-204-001		9	9	33214 118-204-001	
8	8	33214 118-204-001		8	8	33214 118-204-001	
7	7	33214 118-204-001		7	7	33214 118-204-001	
6	6	33214 118-204-001		6	6	33214 118-204-001	
5	5	33214 118-204-001		5	5	33214 118-204-001	
4	4	33214 118-204-001		4	4	33214 118-204-001	
3	3	33214 118-204-001		3	3	33214 118-204-001	
2	2	33214 118-204-001		2	2	33214 118-204-001	
1	1	33214 118-204-001		1	1	33214 118-204-001	



1
2
3
4
5
6
7
8



The information and drawings herein are furnished as the property of TRW SYSTEMS, INC., and are not to be used for any other purpose without the written consent of TRW SYSTEMS, INC. This drawing is the property of TRW SYSTEMS, INC. and is not to be used for any other purpose without the written consent of TRW SYSTEMS, INC. This drawing is the property of TRW SYSTEMS, INC. and is not to be used for any other purpose without the written consent of TRW SYSTEMS, INC.


NOTE:
COMPONENTS WITHIN
DOTTED AREA NOT
USED WITH REL-001-2

FIND NUMBER		
SIZE	CODE IDENT NO.	REV
D	33214	460-5114
SCALE 2"	SHEET 2 OF 2	

**THIRD SECTION
ENGINEERING LOGIC DRAWINGS**

REVISIONS				
ZONE	LTR	DESCRIPTION	DATE	APPROVED
	B	REVISED PER ECO 352-5056 A → B	12-22-75	<i>[Signature]</i>
	C	REVISED PER ECO 352-5056 C	22 JUN 76	<i>R. HAGER</i>
	D	REVISED PER ECO 352-5056 D	19 AUG 76	<i>R. HAGER</i>

SHEET	1	2	3	4	4.1	5	5.1	6	6.1	7	7.1	8	8.1	9	9.1				
REVISION	D	D	A	D	D	A	A	D	D	B	B	B	B	A	A				

CONTRACT NO.		AYDIN  CONTROLS FORT WASHINGTON, PENNSYLVANIA			
DRAWN T. SMITH	DATE 10/3/75				
CHECKED <i>[Signature]</i>	DATE 12/12/75	ASSEMBLY - DISPLAY GENERATOR MODEL 5215C			
APPROVED, DFTS <i>[Signature]</i>	DATE 12/15/75				
APPROVED, ENG <i>[Signature]</i>	DATE 12/15/75	SIZE A	CODE IDENT. NO. 33214	352-5056- <input type="checkbox"/>	REV D
SCALE				SHEET 2 OF 15	

AYDIN CONTROLS

504	503	502	501	ITEM	FSCM	AYDIN PART NO.	MFR. PT. NO.	DESCRIPTION	NOTES		
QUANTITY											
-	-	-	X	1	F	33214	352-5056-501	ASSEMBLY	STD		
-	-	X	-	2		33214	352-5056-502	ASSEMBLY	DUAL PROC		
-	X	-	-	3		33214	352-5056-503	ASSEMBLY	ASM		
X	-	-	-	4		33214	352-5056-504	ASSEMBLY	DUAL PROC ASM		
-	-	-	-	5		33214	352-5056-505	ASSEMBLY	LSM		
				6							
1	1	1	1	7	F	33214	351-5133-501	ASSY, CARD MTG. CHASSIS	SEE DWG. FOR ADDITIONAL PARTS		
1	1	1	1	8	D	33214	203-5020-001	PANEL, REAR	SEE DWG FOR ADDITIONAL PARTS		
1	1	1	1	9	C	33214	304-5016-501	PANEL, FRONT			
1	1	1	1	10	D	33214	203-5019-001	PANEL, CONNECTOR (HINGED)			
2	2	2	2	11	C	33214	205-5083-001	BRACKET, PANEL FASTENING			
1	1	1	1	12	D	33214	205-5085-001	BRACKET, FAN MOUNTING			
1	1	1	1	13	C	33214	207-5052-001	PLATE, CONNECTOR MTG.			
1	1	1	1	14	C	33214	205-5017-002	BRACKET, CONN. MTG.			
2	2	-	-	15	B	33214	207-5048-001	PLATE, ADAPTER (25 PIN CONN)	J30, J31		
1	1	1	1	16	C	33214	205-5082-001	BRACKET, PANEL PIVOT			
				17							
-	-	-	1	18	D	33214	216-5000-321	IDENT PLATE			
1	1	1	1	19	A	33214	114-029-011	ADHESIVE STRIP			
-	-	1	-	20	D	33214	216-5000-322	IDENT PLATE			
-	1	-	-	21	D	33214	216-5000-323	IDENT PLATE			
1	-	-	-	22	D	33214	216-5000-324	IDENT PLATE			
DRAWN TS				CHECKED		TITLE ASSEMBLY			CODE IDENT NO.	DWG. NO. 352-5056-□	REV
DATE 10/3/75				DATE		DISPLAY GENERATOR MODEL 5215C			33214	SHEET 4 OF	D

MONITOR CONTROLS

QTY PER DASH NO.													ITEM	REV	PART NO.								
524	523	522	521	520	519	518	517	516	515	514	513	512				511	510	509	508	507	506	505	
																				1	F	352-5056-501	
																					2	F	352-5056-502
																					3	F	352-5056-503
																					4	F	352-5056-504
																					X 5	F	352-5056-505
																					6		
																					1	F	351-5133-501
																					1	D	203-5020-001
																					1	C	304-5016-501
																					1	D	203-5019-001
																					1	C	205-5093-001
																					1	D	205-5135-001
																					1	C	207-5052-001
																					1	C	205-5017-002
																					2	B	207-5111-001
																					1	C	205-5080-001
																					17		
																					-	D	216-5000-321
																					1	A	114-029-011
																					-	D	216-5000-322
																					-	D	216-5000-323
																					-	D	216-5000-324

DRAWN DATE	CHECKED DATE	TITLE ASSEMBLY DISPLAY GENERATOR MODEL 5215C	CODE IDENT NO.	DWG. NO.	REV
			33214	352-5056-□	D

AYDIN CONTROLS

504	505	502	501	ITEM	FSCM	AYDIN PART NO.	MFR. PT. NO.	DESCRIPTION	NOTES
-	-	-	-	23	D	216-5000-325		IDENT PLATE	
				24					
				25					
REF	REF	REF	REF	26	F	460-5041		CARD ASSY TVD190	POS. 6,8,10,12
1	1	1	1	27	F	460-5042		CARD ASSY TVD191	POS. 5
REF	REF	REF	REF	28	F	460-5043		CARD ASSY TVD192	POS. 7,9,11,13
2	1	2	1	29	F	460-5044		CARD ASSY TVD193	POS. 1-502, 504
2	1	2	1	30	F	460-5045		CARD ASSY TVD194	POS. 3 - ALL DASH NOS.
-	-	-	-	31	D	460-5180		CARD ASSY TVD617	POS. 2-502, 504
				32					POS. 4 - ALL DASH NOS.
				33					POS. 1
				34					
				35					
				36					
				37					
REF	REF	REF	REF	38	D	353-5014		OUTLINE & INSTALLATION DWG	
REF	REF	REF	REF	39	/	735-5033		BACK PLANE WRG. LIST	
REF	REF	REF	REF	40	B	730-5160		CHASSIS WIRE LIST	
				41					
				42					
2	1	-	-	43	B	351-5080		PATCH PLUG	J3 OF POS 1 & POS 3
-	-	-	-	44		351-		JUMPER CABLE	

DRAWN T S CHECKED TITLE ASSEMBLY CODE IDENTI DWG. NO. 352-5056-D REV A
 DATE 10/3/75 DATE DISPLAY GENERATOR MODEL 5Z1SC NO. 35214 SHEET 5 OF

MONITOR CONTROLS

QTY PER DASH NO.

524	523	522	521	520	519	518	517	516	515	514	513	512	511	510	509	508	507	506	505	ITEM	S	PART NO.			
																				1	23	D	216-5000-325		
																						24			
																						25			
																					REF	26	F	460-5041	
																					1	27	F	460-5042	
																					REF	28	F	460-5043	
																					1	29	F	400-5044	
																					1	30	F	460-5045	
																					1	31	D	460-5180	
																						32			
																						33			
																						34			
																						35			
																						36			
																						37			
																						REF	38	D	353-5014
																						REF	39	/	735-5033
																						REF	40	B	730-5160
																						41			
																						42			
																						-	43	B	351-5080
																						1	44		351-

DRAWN	CHECKED	TITLE	ASSEMBLY	CODE IDENT	DWG. NO.	REV
DATE	DATE	DISPLAY GENERATOR MODEL 5215C		NO. 33214	352-5056-□	A
					SHEET 5.1 OF	

AYDIN CONTROLS

504	503	502	501	ITEM	FSCM	AYDIN PART NO.	MFR. PT. NO.	DESCRIPTION	NOTES
QUANTITY									
1	1	1	1	45	A 19648	113-409-001	ECI10979-1	BUSS BAR	
				46					
				47					
				48					
				49					
				50					
				51					
				52					
1	1	1	1	53	A 73631	119-017-004	FT4	TERMINAL BLOCK	
				54					
				55					
1	1	1	1	56	A 83014	121-011-005	H323-3-1-1	LATCH, PANEL (PLUNGER)	
1	1	1	1	57	A 83014	121-011-004	H559-3-1	LATCH, PANEL (GROMMET)	
				58					
1	1	1	1	59	A 76385	130-011-001	Z-4150	GROMMET	
1	1	1	1	60	A 83330	130-005-005	2177	GROMMET	
8	8	8	8	61	A 06540	128-003-010	8104-SS-0440	STANDOFF, HEX 3/16 AF	
				62					
2	2	2	2	63	A 06229	130-110-001	C1	CLAMP, CABLE MTG (CRADLE)	
2	2	2	2	64	A 06229	130-110-010	N1	CLAMP, CABLE MTG (CLIP)	
2	2	2	2	65	A 95987	130-109-001	HPC-25	CLAMP, CABLE	
				66					

DRAWN TS	CHECKED	TITLE	ASSEMBLY	CODE IDENTI	DWG. NO.	352-5056-□	REV
DATE 10/3/75	DATE	DISPLAY GENERATOR	MODEL 5215C	NO.	35214	SHEET 6	OF
990-5006	8-74						D

MONITOR CONTROLS

QTY PER DASH NO.

524	525	522	521	520	519	518	517	516	515	514	513	512	511	510	509	508	507	506	505	ITEM	PART NO.	
																				1	45 A	113-409-001
																					46	
																					47	
																					48	
																					49	
																					50	
																					51	
																					52	
																				1	53 A	119-017-004
																					54	
																					55	
																				1	56 A	121-011-003
																				1	57 A	121-011-004
																					58	
																				1	59 A	130-011-001
																				1	60 A	130-005-005
																			8	61 A	128-003-010	
																					62	
																				2	63 A	130-110-001
																				2	64 A	130-110-010
																				2	65 A	130-109-001
																					66	

DRAWN	CHECKED	DATE	TITLE	CODE IDENT NO.	DWG NO.	REV
					352-5056-□	D
DATE			ASSEMBLY	33214	SHEET 6.1 OF	
			DISPLAY GENERATOR MODEL 5215C			

800-5007

AYDIN CONTROLS

504	503	502	501	ITEM	FSCM	AYDIN PART NO.	MFR. PT. NO.	DESCRIPTION	NOTES
QUANTITY									
				67					
1	1	1	1	68 A	27264	108-150-007	03-09-2022	CONN, NYLON (PLUG)	J35
1	1	1	1	69 A	27264	108-150-009	03-09-2021	CONN, NYLON (PLUG)	J34
1	1	1	1	70 A	27264	108-150-010	03-09-1022	CONN, NYLON (RECEPT)	P35
				71					
				72					
26	26	26	26	73 A	05574	108-205-002	3VH3/1JND-5	CONN, PC, 86 POS (WW)	
				74					
				75					
2	2	-	-	76 A	71468	108-103-006	DBC-25S	CONN, SOCKET 25 PIN	J30, J31
-	-	2	1	77 D	33214	351-5096-	—————	CABLE ASSY	-501 - J33 TO POS 3 -502 (J33 TO POS 3) (J32 TO POS 1)
				78					
25	25	25	25	79 A	14949	108-302-001	BJ-27	CONN, COAX BNC	J15, J7, J11, J13, J17, J19, J29
4	4	4	4	80 A	77820	108-102-002	PT02A-8-4P	CONN, RECPT.	J6, J12, J18, J24
				81					
4	4	4	4	82 A	71468	108-104-045	D-20418-2	SCREW LOCK ASSY (FEMALE)	
				83					
4	4	4	4	84 A	27264	108-150-101	02-09-2103	TERMINAL (MALE)	USE WITH ITEM 68 & 69
2	2	2	2	85 A	27264	108-150-102	02-09-1103	TERMINAL (FEMALE)	USE WITH ITEM 70
50	50	-	-	86 A	71468	108-103-012	D11-0238-5	CONTACT, SOCKET	USE WITH ITEM 76
				87					
				88					

DRAWN T S
DATE 10/3/75

CHECKED
DATE

TITLE ASSEMBLY
DISPLAY GENERATOR MODEL 5215C

CODE IDENT NO.
33214

DWG. NO. 352-5056-
SHEET 7 OF

REV
B

MONITOR CONTROLS

QTY PER DASH NO.

524	523	522	521	520	519	518	517	516	515	514	513	512	511	510	509	508	507	506	505	ITEM	S	PART NO.
																				67		
																				68	A	108-150-C07
																				69	A	108-150-009
																				70	A	108-150-010
																				71		
																				72		
																				73	A	108-205-002
																				74		
																				75		
																				76	A	108-103-006
																				77	D	351-5096-□
																				78		
																				79	A	108-302-001
																				80	A	108-102-002
																				81		
																				82	A	108-104-045
																				83		
																				84	A	108-150-101
																				85	A	108-150-102
																				86	A	108-103-012
																				87		
																				88		

DRAWN
DATE

CHECKED
DATE

TITLE
ASSEMBLY
DISPLAY GENERATOR MODEL 5215C

CODE IDENT
NO.
33214

DWG. NO.
352-5056-□
SHEET 7.1 **OF**

REV
B

AYDIN CONTROLS

504	503	502	501	ITEM	F S C M	AYDIN PART NO.	MFR. PT. NO.	DESCRIPTION	NOTES
QUANTITY									
REF	REF	REF	REF	89	A	108-150-010	03-09-102Z	CONN, NYLON (RECEPT)	P34
				90					
REF	REF	REF	REF	91	A	108-102-012	PT06A-8-4S(SR)	CONN, PLUG	USE WITH ITEM 80
REF	REF	REF	REF	92	A	108-103-005	DBC-25P	CONN, PLUG 25 PINS	USE WITH ITEM 76
REF	REF	REF	REF	93	A	108-104-038	D20419-16	SCREW LOCK ASSY (MALE)	USE WITH ITEM 76
REF	REF	REF	REF	94	A	108-104-002	DB-19678-2	SHELL	USE WITH ITEM 76
1	1	1	1	95	A	110-002-015	370	LAMP, INCANDESCENT	
1	1	1	1	96	A	110-005-002	M525256-4	LIGHT, INDICATOR (GRN)	
				97					
				98					
1	1	1	1	99	A	107-109-002	P8221	SWITCH, P.B. MOM.	
				100					
				101					
2	2	2	2	102	A	116-005-001	4500C	FAN, MINIATURE AXIAL	
2	2	2	2	103	A	116-005-004	5504	FINGER GUARD	
				104					
				105					
1	1	1	1	106	A	104-065-001	IN1183A	DIODE	
2	2	2	2	107	A	104-066-012	IN2128R	DIODE	
				108					
AR	AR	AR	AR	109	A	120-004-059	59	SEALANT THD PTS	
4	4	4	4	110	A	128-104-003	SW6	WASHER, SHOULDER #6	

DRAWN T S
 DATE 10/3/75
 CHECKED
 TITLE ASSEMBLY
 DISPLAY GENERATOR MODEL 5215C
 CODE IDENT NO. 33214
 DWG. NO. 352-5056-□
 SHEET 8 OF B
 REV B

MONITOR CONTROLS

QTY PER DASH NO.

524	523	522	521	520	519	518	517	516	515	514	513	512	511	510	509	508	507	506	505	504	ITEM	QTY	PART NO.
																REF					89	A	108-150-010
																					90		
																REF					91	A	108-102-012
																REF					92	A	108-103-005
																REF					93	A	108-104-038
																REF					94	A	108-104-002
																1					95	A	110-002-015
																1					96	A	110-005-002
																					97		
																					98		
																1					99	A	107-109-002
																					100		
																					101		
																2					102	A	116-005-001
																2					103	A	116-005-004
																					104		
																					105		
																1					106	A	104-065-001
																2					107	A	104-066-012
																					108		
																AR					109	A	120-004-059
																4					110	A	128-104-003

DRAWN	DATE	CHECKED	DATE	TITLE	ASSEMBLY	CODE IDENT NO.	DWG. NO.	REV
							352-5056-1	B
DISPLAY GENERATOR MODEL 5215C						33214	SHEET 8.1 OF	

800-3007

AYDIN CONTROLS

504	503	502	501	ITEM	FSCM	AYDIN PART NO.	MFR. PT. NO.	DESCRIPTION	NOTES
AR	AR	AR	AR	111	A 96906	127-109-013	M551957-013	SCREW PH 4-40 x 1/4	
A	A	A	A	112	A 96906	127-109-015	M551957-015	SCREW PH 4-40 x 3/8	
				113	A 96906	127-109-018	M551957-018	SCREW PH 4-40 x 5/8	
				114	A 96906	127-109-019	M551957-019	SCREW PH 4-40 x 3/4	
				115					
				116	A 96906	127-109-029	M551957-029	SCREW PH 6-32 x 7/16	
				117					
				118	A 96906	127-109-042	M551957-042	SCREW PH 8-32 x 5/16	
				119	A 96906	127-109-043	M551957-043	SCREW PH 8-32 x 3/8	
				120	A 96906	127-109-045	M551957-045	SCREW PH 8-32 x 1/2	
				121	A 96906	127-109-046	M551957-046	SCREW PH 8-32 x 5/8	
				122					
				123					
				124	A 96906	127-105-050	MS24693-50	SCREW FH 100° 8-32 x 1/2	
				125					
				126					
				127	A 96906	129-005-014	MS20365-014A	NUT, SELF LKG. 4-40	
				128	A 96906	129-005-015	MS20365-015A	NUT, SELF LKG. 6-32	
				129	A 96906	129-005-016	MS20365-016A	NUT, SELF LKG. 8-32	
				130	A 96906	128-202-135	MS35338-135	WASHER, LKG # 4	
				131	A 96906	128-200-803	MS15795-803	WASHER, FLAT # 4	
AR	AR	AR	AR	132	A 96906	128-200-807	MS15795-807	WASHER, FLAT # 8	

DRAWN T S CHECKED TITLE ASSEMBLY CODE IDENT. NO. 352-5056-□ REV A
 DATE 10/3/75 DATE DISPLAY GENERATOR MODEL 5215C 33214 SHEET 9 OF 352-5056-□

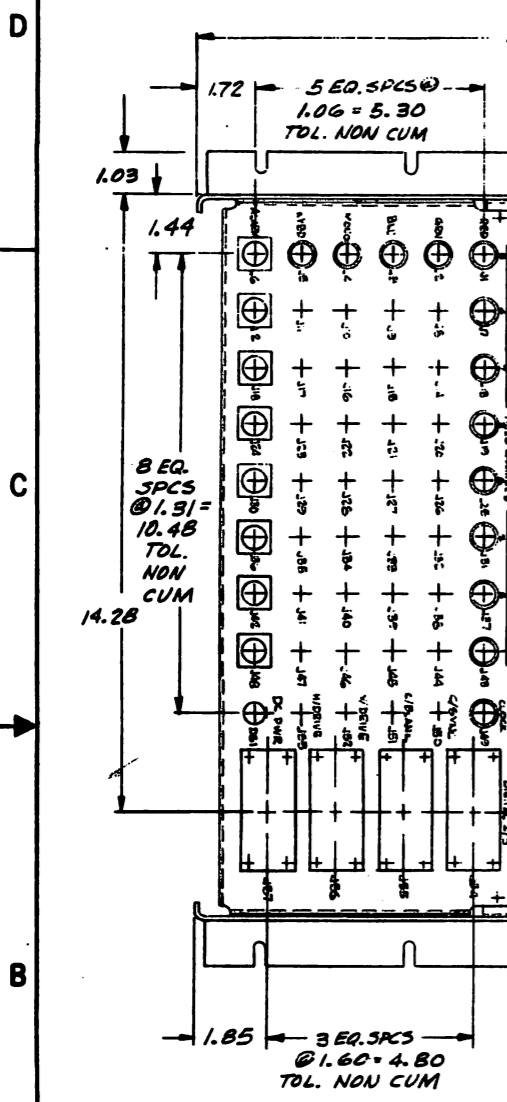
MONITOR CONTROLS

QTY PER DASH NO.		QTY PER DASH NO.													ITEM	PART NO.							
		524	523	522	521	520	519	518	517	516	515	514	513	512			511	510	509	508	507	506	505
																				AR	111	A	127-109-013
																				AR	112	A	127-109-015
																				AR	113	A	127-109-018
																				AR	114	A	127-109-019
																					115		
																				AR	116	A	127-109-029
																					117		
																				AR	118	A	127-109-042
																				AR	119	A	127-109-043
																				AR	120	A	127-109-045
																				AR	121	A	127-109-046
																					122		
																					123		
																				AR	124	A	127-105-050
																					125		
																					126		
																				AR	127	A	129-005-014
																				AR	128	A	129-005-015
																				AR	129	A	129-005-016
																				AR	130	A	128-202-135
																				AR	131	A	128-200-803
																				AR	132	A	128-200-807

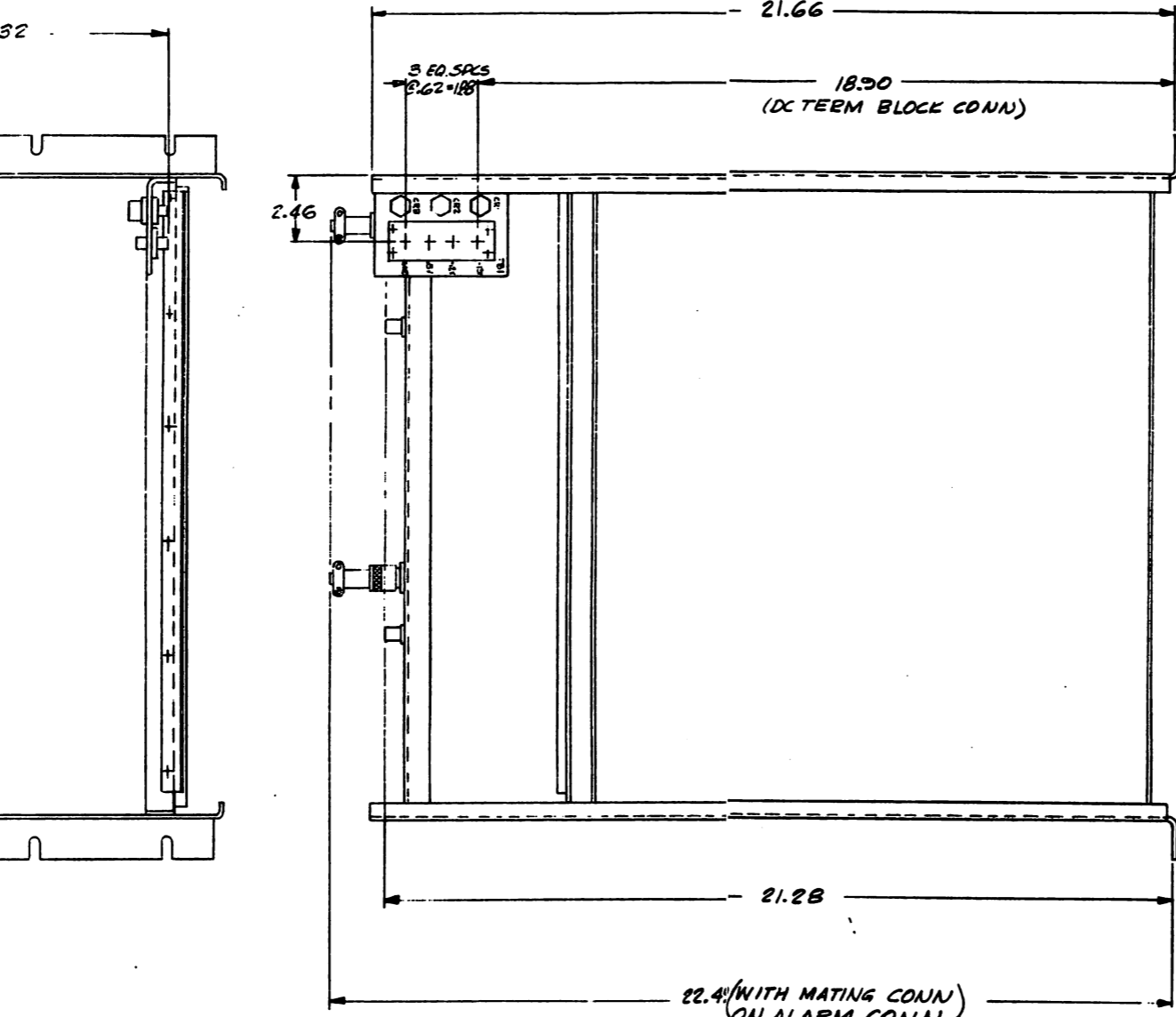
DRAWN	CHECKED	TITLE	CODE IDENT	DWG. NO.	REV
DATE	DATE	ASSEMBLY	NO.	352-5056-□	A
352-5056		DISPLAY GENERATOR MODEL 5215C	33214	SHEET 9.1 OF	

The documentation and drawings (data) being furnished are the sole property of AYDIN CONTROLS (AYDIN), and all rights in same remain vested with AYDIN. It is understood and agreed by the user, in accepting said data that it is being furnished on a "limited right" basis for the express purpose of operation and maintenance of hardware manufactured by AYDIN and said data shall not be reproduced in whole or in part nor shall said data be released or disclosed to a third party, including a foreign government, for the purpose of manufacture, procurement or manufacture or procurement from a source other than AYDIN without the prior written permission of AYDIN.

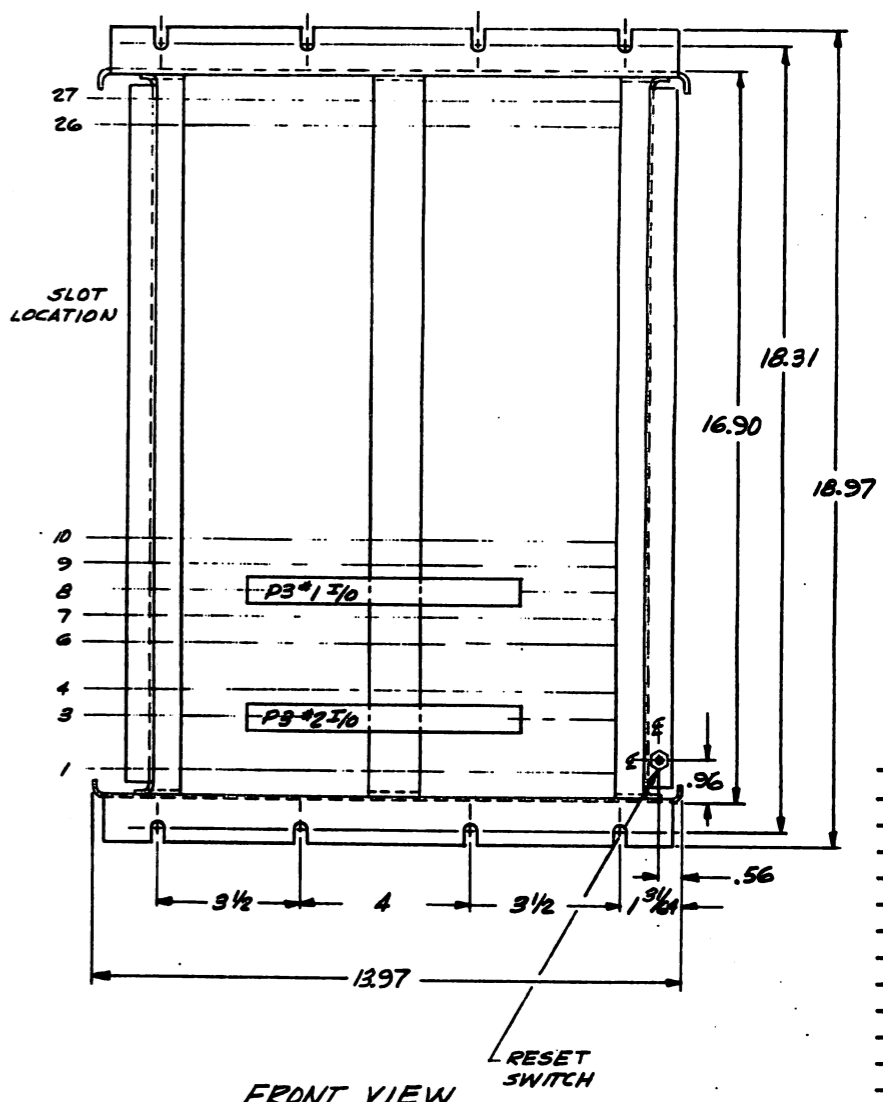
ZONE/LTR	REVISIONS	DATE	APPROVED
	DESCRIPTION		



REAR VIEW



TOP VIEW



FRONT VIEW

CONNECTOR DESIGNATION	FUNCTION	TYPE CONNECTOR	MATING CONNECTOR
J11-J14, J17, J10, J13-J16, J19-J22, J25, J28, J31-J34, J37-J40, J43-J46	VIDEO OUTPUT	BNC CONN INSULATED TROMPETER P/N BJ-27	BNC CONNECTOR BENDIX P/N UG 260/U
J5, J11, J17, J23, J29, J35, J41, J47	KEYBOARD INPUT	BNC CONN INSULATED TROMPETER P/N BJ-27	BNC CONNECTOR BENDIX P/N UG 260/U
J49-J53	SYNC TIMING OUTPUTS	BNC CONN INSULATED TROMPETER P/N BJ-27	BNC CONNECTOR BENDIX P/N UG 260/U
J6, J12, J18, J24, J30, J36, J42, J48	ALARM OUTPUT/RESET	4 PIN RECEPTACLE BENDIX P/N PTD 2AB-4P	4 PIN PLUG BENDIX P/N PTD 6A-B-45(SR)
J54-J57	SPECIAL COMPUTER I/O	REF. DWG. SERIES 358-5000	REF. DWG. SERIES 358-5000
P3 #1 I/O	I/O FOR DEC. COMPUTER MODEL DRIC & DRIIB	RC. EDGE CONNECTOR ON CARD TYPES TVD-193 P/N 400-5044	EDGE CONNECTOR 100 PIN AMP P/N 583768-1 (P) PINS P/N 66168-2

QTY	ITEM	FSC	CONTROLS PT. NO.	MFR. PT. NO.	DESCRIPTION	SYM/NOTE
LIST OF MATERIALS						
UNLESS OTHERWISE SPECIFIED DIMENSIONS ARE IN INCHES AND APPLY BEFORE FINISH SURFACE ROUGHNESS 125 TOLERANCE ON FRACTIONS DECIMALS ANGLES MATERIAL FINISH						
DRAWN J.S. CRAYMER 1-13-77			DATE 1-13-77			
CHECKED			1-13-77			
DRAFTING			1-14-77			
ENGINEER			1-18-77			
MANUF						
APPROVED			1-24-77			
CONTRACT NO. 9620		AYDIN CONTROLS		FORT WASHINGTON, PENNA. 19034		
OUTLINE & INSTALLATION		DISPLAY GENERATOR		MODEL 5215		
SIZE CODE IDENT NO. D 33214		353-5035		REV A		
SCALE 1/2		SHEET 1 OF 1				

352-5015	9620	FINISH
NEXT ASSY	USED ON	APPLICATION

CONTRACT NO. 353-5035

A

The documentation and drawings (data) being furnished are the sole property of AYDIN CONTROLS (AYDIN), and all rights to same remain with AYDIN. It is understood and agreed by the user, in accepting said data that it is being furnished on a "limited right" basis for the express purpose of operation and maintenance of hardware manufactured by AYDIN and said data shall not be reproduced in whole or in part nor shall said data be released or disclosed to a third party, including a foreign government, for the purpose of manufacture, procurement or maintenance of hardware from a source other than AYDIN without the prior written permission of AYDIN.

ZONE	LTR	REVISIONS	DATE	APPROVED
D		REVISED PER ECO 351-5096 E	4-6-76	[Signature]
E		REVISED PER ECO 351-5096 E	4-12-76	[Signature]
F		REVISED PER ECO 351-5096 F JWS 8/76	8-12-76	[Signature]
G		REVISED PER ECO 351-5096 G 11/15-76	11-15-76	[Signature]

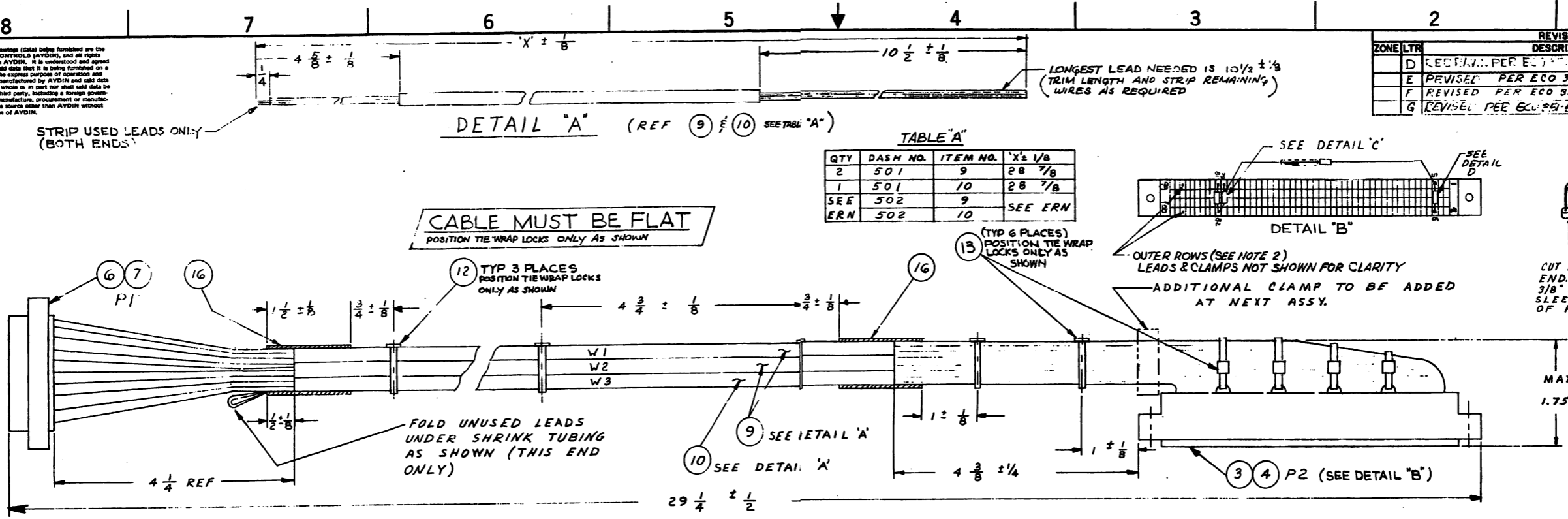


TABLE "A"

QTY	DASH NO.	ITEM NO.	X'S 1/8
2	501	9	28 7/8
1	501	10	28 7/8
SEE	502	9	SEE ERN
ERN	502	10	SEE ERN

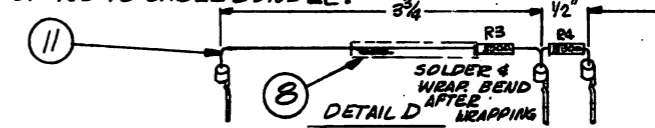
W1				W2				W3			
SIGNAL	FROM PI	TO P2	COLOR	SIGNAL	FROM PI	TO P2	COLOR	SIGNAL	FROM PI	TO P2	COLOR
ODBOO +	A	53	BRN	IDBOO -	BK	17	BRN	R. LRC -	C	39	BRN
ODBOO RET	H	54	BLK	IDBOO RET	BS	18	BLK	R. LRC RET	CE	34	BLK
ODBO1 +	B	90	RED	IDBO1 -	BL	7	RED	GND	AE	*52	RED
ODBO1 RET	J	89	BLK	IDBO1 RET	BT	8	BLK	GND	BA	*50	BLK
ODBO2 +	C	86	ORG	IDBO2 -	BM	9	ORG	GND	BB	*52	YEL
ODBO2 RET	K	85	BLK	IDBO2 RET	BU	10	BLK	GND	BB	*50	BLK
ODBO3 +	D	88	YEL	IDBO3 -	BN	13	YEL				
ODBO3 RET	L	87	BLK	IDBO3 RET	BV	14	BLK				
ODBO4 +	E	98	GRN	IDBO4 -	BP	23	GRN				
ODBO4 RET	M	97	BLK	IDBO4 RET	BW	24	BLK				
ODBO5 +	F	100	BLU	IDBO5 -	BR	25	BLU				
ODBO5 RET	N	99	BLK	IDBO5 RET	BX	26	BLK				
ODBO6 +	R	84	WHT	IDBO6 -	BZ	11	WHT				
ODBO6 RET	X	83	BLK	IDBO6 RET	CF	12	BLK				
ODBO7 +	S	94	BRN	IDBO7 -	CA	92	BRN				
ODBO7 RET	Y	93	RED	IDBO7 RET	CH	91	RED				
ODBP +	T	96	ORG	IDBP -	CB	3	ORG				
ODBP RET	Z	95	RED	IDBP RET	CJ	4	RED				
ODR +	V	82	BLU	IDR -	CC	47	BLU				
ODR RET	AB	81	GRN	IDR RET	CK	48	GRN				
IDA +	W	5	WHT	IWR -	CD	21	WHT				
IDA RET	AC	6	GRN	IWR RET	CL	22	GRN				
FORCE OFF +	AE	55	YEL	ODA -	CE	41	YEL				
FORCE OFF RET	AM	56	RED	ODA RET	CM	*44	RED				
FORCE ERROR -	AF	1	GRN	CLOCK	CP	42	GRN				
FORCE ERROR RET	AN	2	RED	GND	CW	46	RED				
FORCE ON -	AH	43	BLU	SOM	CR	15	BLU				
FORCE ON RET	AP	44	RED	SOM RET	CX	28	RED				
RESET -	AJ	37	WHT	EOM	CS	19	WHT				
RESET RET	AR	36	RED	EOM RET	CY	32	RED				

JUMPERS

NOTE	FROM P2	TO P2	COLOR
NOTE 1	57	3	BLK
	61	7	
	61	9	
	63	11	
	64	13	
	65	17	
	66	21	
	67	23	
	68	25	
	69	41	
	70	47	
	78	92	
NOTE 1	5	49	BLK

NOTES:

- INSTALL JUMPERS (ITEM 11) IN OUTER ROWS OF P2
- * FOR THESE CONNECTIONS (DOUBLE) INSTALL ONE WIRE IN INNER ROW & ONE WIRE IN OUTER ROW OF P2
- TIE WRAP BOTH ENDS OF R3 TO CABLE BUNDLE.



LIST OF MATERIALS

QTY	ITEM	FSCM	CONTROLS PT. NO.	MFR. PT. NO.	DESCRIPTION	SYM/NOTE
AR 17	03890	114-001-004			TUBING, TEFLON, 22AWG, WHITE	
AR 16	92194	114-004-1000	FIT-105-1.00		TUBING, HEAT SHRINKABLE	
1 15	81349	100-003-271	RC07GF271J		RES. 270Ω, 1/4W, 5%	R2
3 14	81349	100-003-931	RC07GF331J		RES. 330Ω, 1/4W, 5%	R1, R3, R4
6 13	06383	130-203-001	SST 1		CABLE TIE	
3 12	06383	130-203-002	SST 1.5		CABLE TIE	
AR 11	81349	113-008-002	MILW16878D-B		WIRE, 26 AWG, BLK STRANDED	
10	-	113-211-001	6TWP267SD/W		CABLE, 6 TWISTED PAIR	DELCO
9	-	113-213-001	15TWP267SD/W		CABLE, 15 TWISTED PAIR	DELCO
AR 8	92194	114-004-001	FIT-105-3/16 CLR		TUBING, HEAT SHRINKABLE	
66 7	91662	108-107-046	108-69-8017-09-19		PINS, CRIMP	
1 6	91662	108-107-025	108-8015-099-000-107-R-9-1-5-1		CONNECTOR, 90 PIN I/O	
5						
98 4	00779	108-245-101	66168-2		CONTACTS	
1 3	00779	108-245-001	583763-1		CONNECTOR, 100 PIN DUAL	
2						
X 1	33214		351-5096-□		CABLE ASSEMBLY	

UNLESS OTHERWISE SPECIFIED DIMENSIONS ARE IN INCHES AND APPLY BEFORE FINISH SURFACE ROUGHNESS 125 TOLERANCE ON FRACTIONS DECIMALS ANGLES ± 1/64 ± .001 ± 1/2

DRAWN DUCKETT 4-6-76
CHECKED B. STANARD 4-12-76
DRAFTING [Signature] 4-12-76
ENGINEER [Signature] 11-17-75
MANUF [Signature]

APPROVED J. LOWR 11-17-75

AYDIN CONTROLS
PORT WASHINGTON, PENNA. 19034

CABLE ASSEMBLY
5215-C DISP. GEN
TVD193 TO I/O

CONTRACT NO. 6758

SIZE CODE IDENT NO. D 33214 351-5096-□ G

REVISIONS: 11-17-75

SCALE: [Blank]

SHEET 1 OF 1

352-5096-□ 6758
NEXT ASSY USED ON APPLICATION

CONTROLS SHOP STANDARDS ARE AN INTEGRAL PART OF THIS DRAWING

FOURTH SECTION
BACK PLANE WIRING LISTS

MONITOR SYSTEMS INC EQUIPMENT 4 CHAN DUAL PROC I-O
 MAINTENANCE LIST MODEL NO 5215-C
 JOB NO 6758 DWG NO 735-5033 REVR
 DATE FEB 24, 1976 ENGINEER D SNYDER
 LINE CARD TYPE Z LCN PIN TRM SN S TP DESCRIPTION

LINE	CARD TYPE	Z	LCN	PIN	TRM	SN	S	TP	DESCRIPTION
0041			A204	079	AVGND				
0042			A207	054	AVGND				
0043			A209	054	AVGND				
0044			A211	054	AVGND				
0045			A213	054	AVGND				
0046			A205	065	BLANK				
0047			A206	056	BLANK				
0048			A208	056	BLANK				
0049			A210	056	BLANK				
0050			A212	056	BLANK				
0051			A102	017	BSYPR				
0052			A105	055	BSYPR				
0053			A105	011	BS16-				
0054			A207	051	BS16-				
0055			A209	051	BS16-				
0056			A211	051	BS16-				
0057			A213	051	BS16-				
0058			A202	019	BUS1	02			
0059			A204	019	BUS1	04			
0060			A106	043	BUS1	06			
0061			A107	043	BUS1	07			
0062			A108	043	BUS1	08			
0063			A109	043	BUS1	09			
0064			A110	043	BUS1	10			
0065			A111	043	BUS1	11			
0066			A112	043	BUS1	12			
0067			A113	043	BUS1	13			
0068			A201	023	BUS10	01			
0069			A102	053	BUS10	02			
0070			A203	023	BUS10	03			
0071			A104	053	BUS10	04			
0072			A106	061	BUS10	06			
0073			A107	061	BUS10	07			
0074			A108	061	BUS10	08			
0075			A109	061	BUS10	09			
0076			A110	061	BUS10	10			
0077			A111	061	BUS10	11			
0078			A112	061	BUS10	12			
0079			A113	061	BUS10	13			
0080			A201	021	BUS11	01			
0081			A102	073	BUS11	02			
0082			A203	021	BUS11	03			
0083			A104	073	BUS11	04			
0084			A106	063	BUS11	06			

MONITOR SYSTEMS INC EQUIPMENT 4 CHAN DUAL PROC I-O
 MAINTENANCE LIST MODEL NO 5215-C
 JOB NO 6758 DWG NO 735-5033 REVR
 DATE FEB 24, 1976 ENGINEER D SNYDER
 LINE CARD TYPE Z LCN PIN TRM SN S TP DESCRIPTION

LINE	CARD TYPE	Z	LCN	PIN	TRM	SN	S	TP	DESCRIPTION
0132			A106	071	BUS15	06			
0133			A107	071	BUS15	07			
0134			A108	071	BUS15	08			
0135			A109	071	BUS15	09			
0136			A110	071	BUS15	10			
0137			A111	071	BUS15	11			
0138			A112	071	BUS15	12			
0139			A113	071	BUS15	13			
0140			A201	035	BUS16	01			
0141			A202	055	BUS16	02			
0142			A203	035	BUS16	03			
0143			A204	055	BUS16	04			
0144			A106	073	BUS16	06			
0145			A107	073	BUS16	07			
0146			A108	073	BUS16	08			
0147			A109	073	BUS16	09			
0148			A110	073	BUS16	10			
0149			A111	073	BUS16	11			
0150			A112	073	BUS16	12			
0151			A113	073	BUS16	13			
0152			A202	001	BUS2	02			
0153			A204	001	BUS2	04			
0154			A106	045	BUS2	06			
0155			A107	045	BUS2	07			
0156			A108	045	BUS2	08			
0157			A109	045	BUS2	09			
0158			A110	045	BUS2	10			
0159			A111	045	BUS2	11			
0160			A112	045	BUS2	12			
0161			A113	045	BUS2	13			
0162			A202	010	BUS3	02			
0163			A204	010	BUS3	04			
0164			A106	047	BUS3	06			
0165			A107	047	BUS3	07			
0166			A108	047	BUS3	08			
0167			A109	047	BUS3	09			
0168			A110	047	BUS3	10			
0169			A111	047	BUS3	11			
0170			A112	047	BUS3	12			
0171			A113	047	BUS3	13			
0172			A202	003	BUS4	02			
0173			A204	003	BUS4	04			
0174			A106	049	BUS4	06			
0175			A107	049	BUS4	07			
0176			A108	049	BUS4	08			
0177			A109	049	BUS4	09			
0178			A110	049	BUS4	10			

MONITOR SYSTEMS INC
 MAINTENANCE LIST
 JOB NO 6758
 DATE FEB 24, 1976

EQUIPMENT 4 CHAN DUAL PROC I-O
 MODEL NO 5215-C
 DWG NO 735-5033 REV B
 ENGINEER D SNYDER

LINE	CARD TYPE	Z	LOCN	PIN	TERM	SN	S TP DESCRIPTION
0179			A111	049	BUS4	11	
0180			A112	049	BUS4	12	
0181			A113	049	BUS4	13	
0182			A202	053	BUS5	02	
0183			A204	053	BUS5	04	
0184			A106	051	BUS5	06	
0185			A107	051	BUS5	07	
0186			A108	051	BUS5	08	
0187			A109	051	BUS5	09	
0188			A110	051	BUS5	10	
0189			A111	051	BUS5	11	
0190			A112	051	BUS5	12	
0191			A113	051	BUS5	13	
0192			A202	042	BUS6	02	
0193			A204	042	BUS6	04	
0194			A106	053	BUS6	06	
0195			A107	053	BUS6	07	
0196			A108	053	BUS6	08	
0197			A109	053	BUS6	09	
0198			A110	053	BUS6	10	
0199			A111	053	BUS6	11	
0200			A112	053	BUS6	12	
0201			A113	053	BUS6	13	
0202			A202	075	BUS7	02	
0203			A204	075	BUS7	04	
0204			A106	055	BUS7	06	
0205			A107	055	BUS7	07	
0206			A108	055	BUS7	08	
0207			A109	055	BUS7	09	
0208			A110	055	BUS7	10	
0209			A111	055	BUS7	11	
0210			A112	055	BUS7	12	
0211			A113	055	BUS7	13	
0212	D194		A102	085	BUS8		
0213	194		A104	085	BUS8		
0214	190		A106	057	BUS8		
0215	192		A107	057	BUS8		
0216	190		A108	057	BUS8		
0217	192		A109	057	BUS8		
0218	190		A110	057	BUS8		
0219	192		A111	057	BUS8		
0220	190		A112	057	BUS8		
0221	192		A113	057	BUS8		
0222			A201	025	BUS9	01	
0223			A102	067	BUS9	02	
0224			A203	025	BUS9	03	

MONITOR SYSTEMS INC
 MAINTENANCE LIST
 JOB NO 6758
 DATE FEB 24, 1976

EQUIPMENT 4 CHAN DUAL PROC I-O
 MODEL NO 5215-C
 DWG NO 735-5033 REV B
 ENGINEER D SNYDER

LINE	CARD TYPE	Z	LOCN	PIN	TERM	SN	S TP DESCRIPTION
0268	D 194		A202	073	B6C10		
0269	D 194		A102	032	B7-		
0270	D 194		A104	032	B7-		
0271	D 191		A105	070	B7-		
0272	D 193		A201	063	B7C10		
0273	D 194		A202	054	B7C10		
0274			A103	013	CA1		
0275	D 194		A104	080	CA1		
0276	D 193		A101	013	CA1A		
0277	D 194		A102	080	CA1A		
0278			A103	009	CA2		
0279	D 194		A104	082	CA2		
0280	D 193		A101	009	CA2A		
0281	D 194		A102	082	CA2A		
0282			A103	033	CA3		
0283	D 194		A104	084	CA3		
0284	D 193		A101	033	CA3A		
0285	D 194		A102	084	CA3A		
0286			A103	023	CA4		
0287	D 194		A104	086	CA4		
0288	D 193		A101	023	CA4A		
0289	D 194		A102	086	CA4A		
0290	D 191		A105	067	CBUFA		
0291	D 190		A206	042	CBUFA		
0292	D 190		A208	042	CBUFA		
0293	D 190		A210	042	CBUFA		
0294	D 190		A212	042	CBUFA		
0295	D 191		A105	069	CBUFB		
0296	D 190		A206	040	CBUFB		
0297	D 190		A208	040	CBUFB		
0298	D 190		A210	040	CBUFB		
0299	D 190		A212	040	CBUFB		
0300	D 194		A104	039	CDA-		
0301			A203	041	CDA-		
0302			A202	011	CDB0	02	
0303			A204	011	CDB0	04	
0304			A106	041	CDB0	06	

MONITOR SYSTEMS INC
 MAINTENANCE LIST
 JOB NO 6758

EQUIPMENT 4 CHAN DUAL PROC I-O
 MODEL NO 5215-C
 DWG NO 735-5033 REVR
 ENGINEER D SNYDER

DATE FEB 24, 1976

LINE	CARD TYPE	Z	LCCN	PIN	TERM	SN	S	TP	DESCRIPTION
0225			A104	067	BUS9	04			
0226			A106	059	BUS9	06			
0227			A107	059	BUS9	07			
0228			A108	059	BUS9	08			
0229			A109	059	BUS9	09			
0230			A110	059	BUS9	10			
0231			A111	059	BUS9	11			
0232			A112	059	BUS9	12			
0233			A113	059	BUS9	13			
0234	D	191	A105	028	B1-				
0235	D	192	A207	067	B1-				
0236	D	192	A209	067	B1-				
0237	D	192	A211	067	B1-				
0238	D	192	A213	067	B1-				
0239	D	194	A104	029	B2				
0240			A203	057	B2				
0241	D	194	A102	031	B2-				
0242	D	194	A104	031	B2-				
0243	D	191	A105	026	B2-				
0244	D	192	A207	065	B2-				
0245	D	192	A209	065	B2-				
0246	D	192	A211	065	B2-				
0247	D	192	A213	065	B2-				
0248	D	191	A105	024	B3-				
0249	D	192	A207	063	B3-				
0250	D	192	A209	063	B3-				
0251	D	192	A211	063	B3-				
0252	D	192	A213	063	B3-				
0253	D	194	A102	026	B4-				
0254	D	194	A104	026	B4-				
0255	D	191	A105	022	B4-				
0256	D	192	A207	061	B4-				
0257	D	192	A209	061	B4-				
0258	D	192	A211	061	B4-				
0259	D	192	A213	061	B4-				
0260	D	191	A105	016	B5-				
0261	D	192	A207	071	B5-				
0262	D	192	A209	071	B5-				
0263	D	192	A211	071	B5-				
0264	D	192	A213	071	B5-				
0265	D	193	A201	065	B5C10				
0266	D	194	A202	050	B5C10				
0267	D	193	A201	067	B6C10				

MONITOR SYSTEMS INC
 MAINTENANCE LIST
 JOB NO 6758

EQUIPMENT 4 CHAN DUAL PROC I-O
 MODEL NO 5215-C
 DWG NO 735-5033 REVR
 ENGINEER D SNYDER

DATE FEB 24, 1976

LINE	CARD TYPE	Z	LCCN	PIN	TERM	SN	S	TP	DESCRIPTION
0305			A108	041	CDB0	08			
0306			A110	041	CDB0	10			
0307			A112	041	CDB0	12			
0308			A202	013	CDB1	02			
0309			A204	013	CDB1	04			
0310			A106	039	CDB1	06			
0311			A108	039	CDB1	08			
0312			A110	039	CDB1	10			
0313			A112	039	CDB1	12			
0314			A202	039	CDB10	02			
0315			A204	039	CDB10	04			
0316			A106	021	CDB10	06			
0317			A108	021	CDB10	08			
0318			A110	021	CDB10	10			
0319			A112	021	CDB10	12			
0320			A202	052	CDB11	02			
0321			A204	052	CDB11	04			
0322			A106	019	CDB11	06			
0323			A108	019	CDB11	08			
0324			A110	019	CDB11	10			
0325			A112	019	CDB11	12			
0326			A202	027	CDB12	02			
0327			A204	027	CDB12	04			
0328			A106	017	CDB12	06			
0329			A108	017	CDB12	08			
0330			A110	017	CDB12	10			
0331			A112	017	CDB12	12			
0332			A202	028	CDB13	02			
0333			A204	028	CDB13	04			
0334			A106	015	CDB13	06			
0335			A108	015	CDB13	08			
0336			A110	015	CDB13	10			
0337			A112	015	CDB13	12			
0338			A202	031	CDB14	02			
0339			A204	031	CDB14	04			
0340			A106	013	CDB14	06			
0341			A108	013	CDB14	08			
0342			A110	013	CDB14	10			
0343			A112	013	CDB14	12			
0344			A202	032	CDB15	02			
0345			A204	032	CDB15	04			
0346			A106	011	CDB15	06			
0347			A108	011	CDB15	08			
0348			A110	011	CDB15	10			

04

MONITOR SYSTEMS INC
 MAINTENANCE LIST
 JOB NO 6758
 DATE FEB 24, 1976
 LINE CARD TYPE Z

EQUIPMENT 4 CHAN DUAL PROC I-O
 MODEL NO 5215-C
 DWG NO 735-5033 REV B
 ENGINEER D SNYDER
 LCCN PIN TERM SN S TP DESCRIPTION

LINE	CARD TYPE	Z	LCCN	PIN	TERM	SN	S	TP	DESCRIPTION
0509	D	194	A210	003	C240N				
0510	D	194	A212	003	C240N				
0511	D	194	A206	055	C20RG				
0512	D	194	A208	053	C20RG				
0513	D	194	A210	055	C20RG				
0514	D	194	A212	055	C20RG				
0515	D	194	A206	013	C2RED				
0516	D	194	A208	061	C2RED				
0517	D	194	A210	013	C2RED				
0518	D	194	A212	013	C2RED				
0519	D	194	A101	011	C3-				
0520	D	194	A103	011	C3-				
0521	D	194	A211	044	C3-				
0522	D	194	A206	029	C38LU				
0523	D	194	A208	029	C38LU				
0524	D	194	A210	063	C38LU				
0525	D	194	A212	029	C38LU				
0526	D	194	A206	019	C3GRN				
0527	D	194	A208	019	C3GRN				
0528	D	194	A210	059	C3GRN				
0529	D	194	A212	019	C3GRN				
0530	D	194	A106	085	C3INT	06			
0531	D	194	A108	085	C3INT	08			
0532	D	194	A210	057	C3INT	10			
0533	D	194	A112	085	C3INT	12			
0534	D	194	A104	063	C3KPR				
0535	D	194	A211	008	C3KPR				
0536	D	194	A206	001	C3MON				
0537	D	194	A208	001	C3MON				
0538	D	194	A210	065	C3MON				
0539	D	194	A212	001	C3MON				
0540	D	194	A206	037	C3ORG				
0541	D	194	A208	037	C3ORG				
0542	D	194	A210	053	C3ORG				
0543	D	194	A212	037	C3ORG				
0544	D	194	A206	009	C3RED				
0545	D	194	A208	009	C3RED				
0546	D	194	A210	061	C3RED				
0547	D	194	A212	009	C3RED				
0548	D	194	A101	035	C4-				

MONITOR SYSTEMS INC
 MAINTENANCE LIST
 JOB NO 6758
 DATE FEB 24, 1976
 ENGINEER D SNYDER

EQUIPMENT 4 CHAN DUAL PROC I-O
 MODEL NO 5215-C
 DWG NO 735-5033 REV B
 SN S TP DESCRIPTION

LINE	CARD TYPE	Z	LOCN	PIN	TERM	SN	S	TP	DESCRIPTION
0549			A103	035	C4-				
0550	D 192		A213	044	C4-				
0551			A206	027	C4BLU				
0552			A208	027	C4BLU				
0553			A210	027	C4BLU				
0554			A212	063	C4BLU				
0555			A206	017	C4GRN				
0556			A208	017	C4GRN				
0557			A210	017	C4GRN				
0558			A212	059	C4GRN				
0559			A206	051	C4INT				
0560			A208	051	C4INT				
0561			A210	051	C4INT				
0562			A212	057	C4INT				
0563	D 194		A104	061	C4KPR				
0564	D 192		A213	008	C4KPR				
0565			A206	018	C4MON				
0566			A208	018	C4MON				
0567			A210	018	C4MON				
0568			A212	065	C4MON				
0569			A206	035	C4ORG				
0570			A208	035	C4ORG				
0571			A210	035	C4ORG				
0572			A212	053	C4ORG				
0573			A206	007	C4RED				
0574			A208	007	C4RED				
0575			A210	007	C4RED				
0576			A212	061	C4RED				
0577	D 192		A107	075	DSB1-				
0578	D 192		A109	075	DSB1-				
0579	D 192		A111	075	DSB1-				
0580	D 192		A113	075	DSB1-				
0581	D 194		A202	021	DSB1-				
0582	D 194		A204	021	DSB1-				
0583	D 192		A107	077	DSB2-				
0584	D 192		A109	077	DSB2-				
0585	D 192		A111	077	DSB2-				
0586	D 192		A113	077	DSB2-				
0587	D 194		A202	017	DSB2-				
0588	D 194		A204	017	DSB2-				
0589	D 192		A107	081	DSB4-				

MONITOR SYSTEMS INC
 MAINTENANCE LIST
 JOB NO 6758
 DATE FEB 24, 1976
 ENGINEER D SNYDER

EQUIPMENT 4 CHAN DUAL PROC I-O
 MODEL NO 5215-C
 DWG NO 735-5033 REV B
 SN S TP DESCRIPTION

LINE	CARD TYPE	Z	LOCN	PIN	TERM	SN	S	TP	DESCRIPTION
0634	D 192		A211	004	FEX				
0635	D 192		A213	004	FEX				
0636	D 192		A104	006	FEX-				
0637	D 193		A203	069	FEX-				
0638	D 193		A101	017	FGFR-				
0639	D 194		A202	066	FGFR-				
0640			A203	062	FLAG2				
0641	D 194		A204	074	FLAG2				
0642			A203	073	FLAG5				
0643	D 194		A204	076	FLAG5				
0644			A103	065	FLAG9				
0645	D 194		A104	041	FLAG8				
0646	D 192		A107	023	FTGND				
0647	D 192		A109	023	FTGND				
0648	D 192		A111	023	FTGND				
0649	D 192		A113	023	FTGND				
0650	D 192		A213	079	FTGND				
0651	D 194		A104	002	GDAD-				
0652			A203	001	GDAD-				
0653			A105	064	HBLNK				
0654			A107	027	HBLNK				
0655			A109	027	HBLNK				
0656			A111	027	HBLNK				
0657			A113	027	HBLNK				
0658	D 194		A202	029	HPR0T				
0659	D 194		A204	029	HPR0T				
0660	D 192		A207	041	HPR0T				
0661	D 192		A209	041	HPR0T				
0662	D 192		A211	041	HPR0T				
0663	D 192		A213	041	HPR0T				
0664			A103	079	INS11				
0665	D 194		A204	023	INS11				
0666			A103	073	INS12				
0667	D 194		A104	069	INS12				
0668			A103	043	INS13				
0669	D 194		A104	081	INS13				
0670	D 194		A104	079	LDCAG				
0671			A203	013	LDCAG				

88

MONITOR SYSTEMS INC
 MAINTENANCE LIST
 JOB NO 6758
 DATE FEB 24, 1976

EQUIPMENT 4 CHAN DUAL PROC I-D
 MODEL NO 5215-C
 DWG NO 735-5033 REV B
 ENGINEER D SNYDER

LINE CARD TYPE Z LDCN PIN TERM SN S TP DESCRIPTION

0672
 0673 D 194 A103 021 LDDIM
 A104 077 LDDIM
 0674 D 194 A104 075 LDTSM
 0675 A203 043 LDTSM
 0676 A103 039 LSTWD
 0677 D 194 A204 064 LSTWD
 0678 D 193 A101 021 MSKLD
 0679 D 194 A102 077 MSKLD
 0680 A101 041 NINT-
 0681 A103 041 NINT-
 0682 D 192 A207 059 NINT-
 0683 D 192 A209 059 NINT-
 0684 D 192 A211 059 NINT-
 0685 D 192 A213 059 NINT-
 0686 D 194 A104 017 PRBSY
 0687 D 191 A105 014 PRBSY
 0688 D 194 A104 071 PRITM
 0689 D 191 A105 053 PRITM
 0690 A103 067 PRSCH
 0691 D 194 A204 072 PRSCH
 0692 A203 055 PRTM-
 0693 D 194 A204 061 PRTM-
 0694 D 194 A102 043 PUR-
 0695 D 194 A104 043 PUR-
 0696 D 191 A105 013 PUR-
 0697 D 193 A201 029 PUR-
 0698 D 193 A203 029 PUR-
 0699 D 191 A205 009 PUR-
 0700 D 191 A205 011 PUR-
 0701 D 191 A205 013 PUR-
 0702 D 191 A205 015 PUR-
 0703 D 191 A205 017 PUR-
 0704 D 190 A206 075 PUR-
 0705 D 192 A207 075 PUR-
 0706 D 193 A208 075 PUR-
 0707 D 192 A209 075 PUR-
 0708 D 190 A210 075 PUR-
 0709 D 192 A211 075 PUR-
 0710 D 190 A212 075 PUR-
 0711 D 192 A213 075 PUR-
 0712 D 193 A101 005 RCRC-

MONITOR SYSTEMS INC
 MAINTENANCE LIST
 JOB NO 6758
 DATE FEB 24, 1976

EQUIPMENT 4 CHAN DUAL PROC I-D
 MODEL NO 5215-C
 DWG NO 735-5033 REV B
 ENGINEER D SNYDER

LINE CARD TYPE Z LDCN PIN TERM SN S TP DESCRIPTION

0752 D 191 A105 043 RX2-
 0753 D 192 A207 021 RX2-
 0754 D 192 A209 021 RX2-
 0755 D 192 A211 021 RX2-
 0756 D 192 A213 021 RX2-
 0757 D 191 A105 059 RX32-
 0758 D 192 A207 015 RX32-
 0759 D 192 A209 015 RX32-
 0760 D 192 A211 015 RX32-
 0761 D 192 A213 015 RX32-
 0762 D 191 A105 047 RX4-
 0763 D 192 A207 023 RX4-
 0764 D 192 A209 023 RX4-
 0765 D 192 A211 023 RX4-
 0766 D 192 A213 023 RX4-
 0767 D 191 A105 063 RX64-
 0768 D 192 A207 017 RX64-
 0769 D 192 A209 017 RX64-
 0770 D 192 A211 017 RX64-
 0771 D 192 A213 017 RX64-
 0772 D 191 A105 049 RX8-
 0773 D 192 A207 025 RX8-
 0774 D 192 A209 025 RX8-
 0775 D 192 A211 025 RX8-
 0776 D 192 A213 025 RX8-
 0777 D 191 A205 007 RYGND
 0778 D 191 A205 079 RYGND
 0779 D 191 A205 047 RY1-
 0780 D 190 A206 044 RY1-
 0781 D 192 A207 011 RY1-
 0782 D 190 A208 044 RY1-
 0783 D 192 A209 011 RY1-
 0784 D 190 A210 044 RY1-
 0785 D 192 A211 011 RY1-
 0786 D 190 A212 044 RY1-
 0787 D 192 A213 011 RY1-
 0788 D 191 A205 053 RY16-
 0789 D 192 A207 009 RY16-
 0790 D 192 A209 009 RY16-
 0791 D 192 A211 009 RY16-
 0792 D 192 A213 009 RY16-
 0793 D 191 A205 045 RY2-

MONITOR SYSTEMS INC
 MAINTENANCE LIST
 JCB NO 6758
 DATE FEB 24, 1976

EQUIPMENT 4 CHAN DUAL PROC I-0
 MODEL NO 5215-C
 DWG NO 735-5033 REV B
 ENGINEER D SNYDER

LINE	CARD TYPE	Z	LOCN	PIN	TERM	SN	S	TP	DESCRIPTION
0713	D 194		A202	056	RCRC-				
0714	D 193		A201	011	RDCO-				
0715	D 194		A202	048	RDCO-				
0716	D 194		A102	011	RWD-				
0717	D 193		A201	071	RWD-				
0718	D 191		A105	034	REFTM				
0719	D 192		A207	027	REFTM				
0720	D 192		A209	027	REFTM				
0721	D 192		A211	027	REFTM				
0722	D 192		A213	027	REFTM				
0723			A101	081	RSET				
0724			A103	081	RESFT				
0725	D 191		A205	074	RESET				
0726			A103	085	RGDAD				
0727	D 194		A204	070	RGDAD				
0728			A103	019	RINT-				
0729	D 194		A204	068	RINT-				
0730	D 194		A102	058	RKDA-				
0731	D 194		A104	058	RKDA-				
0732	D 192		A207	006	RKDA-				
0733	D 192		A209	006	RKDA-				
0734	D 192		A211	006	RKDA-				
0735	D 192		A213	006	RKDA-				
0736			A103	005	RLRC				
0737	D 194		A204	056	RLRC				
0738			A205	043	RPFLD				
0739	D 191		A205	080	RPFLD				
0740			A103	044	RTXMD				
0741	D 194		A104	044	RTXMD				
0742	D 191		A105	045	RX1-				
0743	D 192		A207	019	RX1-				
0744	D 192		A209	019	RX1-				
0745	D 192		A211	019	RX1-				
0746	D 192		A213	019	RX1-				
0747	D 191		A105	061	RX16-				
0748	D 192		A207	013	RX16-				
0749	D 192		A209	013	RX16-				
0750	D 192		A211	013	RX16-				
0751	D 192		A213	013	RX16-				

C-10

MONITOR SYSTEMS INC
 MAINTENANCE LIST
 JCB NO 6758
 DATE FEB 24, 1976

EQUIPMENT 4 CHAN DUAL PROC I-0
 MODEL NO 5215-C
 DWG NO 735-5033 REV B
 ENGINEER D SNYDER

LINE	CARD TYPE	Z	LOCN	PIN	TERM	SN	S	TP	DESCRIPTION
0794	D 192		A207	003	RY2-				
0795	D 192		A209	003	RY2-				
0796	D 192		A211	003	RY2-				
0797	D 192		A213	003	RY2-				
0798	D 191		A205	051	RY32-				
0799	D 192		A207	001	RY32-				
0800	D 192		A209	001	RY32-				
0801	D 192		A211	001	RY32-				
0802	D 192		A213	001	RY32-				
0803	D 191		A205	049	RY4-				
0804	D 192		A207	005	RY4-				
0805	D 192		A209	005	RY4-				
0806	D 192		A211	005	RY4-				
0807	D 192		A213	005	RY4-				
0808	D 191		A205	055	RY8-				
0809	D 192		A207	007	RY8-				
0810	D 192		A209	007	RY8-				
0811	D 192		A211	007	RY8-				
0812	D 192		A213	007	RY8-				
0813	D 194		A104	013	SB1				
0814			A203	015	SB1				
0815			A103	015	SB2				
0816	D 194		A104	001	SB2				
0817			A203	039	SB3				
0818	D 194		A204	005	SB3				
0819			A203	037	SB4				
0820	D 194		A204	009	SB4				
0821			A203	005	SB5				
0822	D 194		A204	020	SB5				
0823			A203	045	SB6				
0824	D 194		A204	035	SB6				
0825			A203	007	SB7				
0826	D 194		A204	071	SB7				
0827			A103	083	SB8				
0828	D 194		A204	016	SB8				
0829	D 191		A105	082	S003				
0830	D 191		A105	085	S003				
0831	D 191		A205	037	S004				

MONITOR SYSTEMS INC
 MAINTENANCE LIST
 JOB NO 6758
 DATE FEB 24, 1976

EQUIPMENT 4 CHAN DUAL PROC I-O
 MODEL NO 5215-C
 DWG NO 735-5033 REV B
 ENGINEER D SNYDER

LINE	CARD TYPE	Z	LOCN	PIN	TERM	SN	S	TP	DESCRIPTION
0832	D	191	A205	041	SS04				
0833			A202	046	SSB1-				
0834	D	194	A204	046	SSB1-				
0835	D	192	A207	031	SSB1-				
0836	D	192	A209	031	SSB1-				
0837	D	192	A211	031	SSB1-				
0838	D	192	A213	031	SSB1-				
0839	D	194	A202	045	SSB2				
0840	D	194	A204	045	SSB2				
0841	D	192	A207	033	SSB2				
0842	D	192	A209	033	SSB2				
0843	D	192	A211	033	SSB2				
0844	D	192	A213	033	SSB2				
0845	D	194	A202	044	SSB3-				
0846	D	194	A204	044	SSB3-				
0847	D	192	A207	035	SSB3-				
0848	D	192	A209	035	SSB3-				
0849	D	192	A211	035	SSB3-				
0850	D	192	A213	035	SSB3-				
0851	D	194	A202	067	SSB4				
0852	D	194	A204	067	SSB4				
0853	D	192	A207	037	SSB4				
0854	D	192	A209	037	SSB4				
0855	D	192	A211	037	SSB4				
0856	D	192	A213	037	SSB4				
0857			A103	069	STBAD				
0858	D	194	A204	060	STBAD				
0859	D	193	A101	071	STDES				
0860	D	194	A102	083	STDES				
0861	D	191	A205	063	SYNC				
0862	D	190	A206	054	SYNC				
0863	D	190	A208	054	SYNC				
0864	D	190	A210	054	SYNC				
0865	D	190	A212	054	SYNC				
0866	D	193	A201	055	TMPR-				
0867	D	194	A202	061	TMPR-				
0868	D	194	A102	071	TMPR1				
0869			A105	051	TMPR1				
0870	D	193	A101	044	TXRE-				
0871	D	194	A102	044	TXRE-				
0872	D	194	A102	075	TXSTL				

C-11

MONITOR SYSTEMS INC
 MAINTENANCE LIST
 JOB NO 6758
 DATE FEB 24, 1976

EQUIPMENT 4 CHAN DUAL PROC I-O
 MODEL NO 5215-C
 DWG NO 735-5033 REV B
 ENGINEER D SNYDER

LINE	CARD TYPE	Z	LOCN	PIN	TERM	SN	S	TP	DESCRIPTION
0916			A111	003	YCLP3				
0917			A111	005	YCLP3				
0918			A111	006	YCLP3				
0919			A111	007	YCLP3				
0920			A111	008	YCLP3				
0921			A111	010	YCLP3				
0922			A111	012	YCLP3				
0923			A111	014	YCLP3				
0924			A111	018	YCLP3				
0925			A113	001	YCLP4				
0926			A113	002	YCLP4				
0927			A113	003	YCLP4				
0928			A113	005	YCLP4				
0929			A113	006	YCLP4				
0930			A113	007	YCLP4				
0931			A113	008	YCLP4				
0932			A113	010	YCLP4				
0933			A113	012	YCLP4				
0934			A113	014	YCLP4				
0935			A113	018	YCLP4				
0936	D	194	A102	010	YFULL				
0937	D	194	A104	010	YFULL				
0938	D	192	A207	055	YFULL				
0939	D	192	A209	055	YFULL				
0940	D	192	A211	055	YFULL				
0941	D	192	A213	055	YFULL				
0942			A107	004	YGND1				
0943			A107	009	YGND1				
0944			A107	016	YGND1				
0945			A109	004	YGND2				
0946			A109	009	YGND2				
0947			A109	016	YGND2				
0948			A111	004	YGND3				
0949			A111	009	YGND3				
0950			A111	016	YGND3				
0951			A113	004	YGND4				
0952			A113	009	YGND4				
0953			A113	016	YGND4				
0954	D	190	A206	034	1BCLK				
0955	D	192	A207	036	1BCLK				
0956	D	190	A106	007	1BLNK				
0957	D	192	A107	015	1BLNK				
0958	D	190	A206	038	1B0B1				

MONITOR SYSTEMS INC
 MAINTENANCE LIST
 JOB NO 6758
 DATE FEB 24, 1976

EQUIPMENT 4 CHAN DUAL PROC I-O
 MODEL NO 5215-C
 DWG NO 735-5033 REV B
 ENGINEER D SNYDER

LINE	CARD TYPE	Z	LOCN	PIN	TERM	SN	S	TP	DESCRIPTION
0873	D	193	A201	043	TXSTL				
0874			A105	066	VBLNK				
0875			A107	025	VBLNK				
0876			A109	025	VBLNK				
0877			A111	025	VBLNK				
0878			A113	025	VBLNK				
0879	D	194	A102	028	VRTDR				
0880	D	194	A104	028	VRTDR				
0881	D	191	A205	076	VRTDR				
0882	D	193	A101	039	WDSL T				
0883	D	194	A202	064	WDSL T				
0884	D	193	A101	037	WD1ST				
0885	D	194	A202	062	WD1ST				
0886	D	194	A102	008	XFULL				
0887	D	194	A104	008	XFULL				
0888	D	192	A207	053	XFULL				
0889	D	192	A209	053	XFULL				
0890	D	192	A211	053	XFULL				
0891	D	192	A213	053	XFULL				
0892			A107	001	YCLP1				
0893			A107	002	YCLP1				
0894			A107	003	YCLP1				
0895			A107	005	YCLP1				
0896			A107	006	YCLP1				
0897			A107	007	YCLP1				
0898			A107	008	YCLP1				
0899			A107	010	YCLP1				
0900			A107	012	YCLP1				
0901			A107	014	YCLP1				
0902			A107	018	YCLP1				
0903			A109	001	YCLP2				
0904			A109	002	YCLP2				
0905			A109	003	YCLP2				
0906			A109	005	YCLP2				
0907			A109	006	YCLP2				
0908			A109	007	YCLP2				
0909			A109	008	YCLP2				
0910			A109	010	YCLP2				
0911			A109	012	YCLP2				
0912			A109	014	YCLP2				
0913			A109	018	YCLP2				
0914			A111	001	YCLP3				
0915			A111	002	YCLP3				

MONITOR SYSTEMS INC
 MAINTENANCE LIST
 JOB NO 6758
 DATE FEB 24, 1976

EQUIPMENT 4 CHAN DUAL PROC I-O
 MODEL NO 5215-C
 DWG NO 735-5033 REV B
 ENGINEER D SNYDER

LINE	CARD TYPE	Z	LOCN	PIN	TERM	SN	S	TP	DESCRIPTION
0959	D	192	A207	038	1B0B1				
0960	D	190	A206	032	1BXFR				
0961	D	192	A207	032	1BXFR				
0962	D	190	A106	001	1CHAR				
0963	D	192	A107	011	1CHAR				
0964	D	193	A201	053	1CIDB				
0965	D	194	A202	012	1CIDB				
0966	D	190	A106	003	1COLR				
0967	D	192	A107	013	1COLR				
0968	D	190	A106	080	1CURC				
0969	D	192	A107	076	1CURC				
0970	D	190	A206	030	1DEB				
0971	D	192	A207	030	1DEB				
0972	D	192	A207	046	1GND				
0973	D	192	A207	080	1GND				
0974	D	190	A206	011	1ID				
0975	D	192	A207	010	1ID				
0976	D	190	A106	009	1INT				
0977	D	192	A107	017	1INT				
0978	D	190	A106	076	1INV				
0979	D	192	A107	078	1INV				
0980	D	190	A206	047	1KBLK				
0981	D	192	A207	040	1KBLK				
0982	D	190	A206	046	1LMBR				
0983	D	192	A207	048	1LMBR				
0984	D	190	A206	028	1MBR				
0985	D	192	A207	028	1MBR				
0986	D	190	A106	078	1MCLK				
0987	D	192	A107	080	1MCLK				
0988	D	190	A206	026	1MKBD				
0989	D	192	A207	026	1MKBD				
0990	D	190	A106	020	1MX1				
0991	D	192	A107	020	1MX1				
0992	D	190	A106	028	1MX16				

MONITOR SYSTEMS INC EQUIPMENT 4 CHAN DUAL PROC I-O
 MAINTENANCE LIST MODEL NO 5215-C
 JOB NO 4758 DWG NO 735-5033 RFVB
 DATE FEB 24, 1976 ENGINEER D SNYDER
 LINE CARD TYPE Z LOCN PIN TFR4 SN S TP DESCRIPTION
 0993 0 192 A107 028 1MX16

0994	0 190	A106	022	1MX2					
0995	0 192	A107	022	1MX2					
0996	0 190	A106	030	1MX32					
0997	0 192	A107	030	1MX32					
0998	0 190	A106	024	1MX4					
0999	0 192	A107	024	1MX4					
1000	0 190	A106	026	1MX8					
1001	0 192	A107	026	1MX8					
1002	0 190	A106	032	1MY1					
1003	0 192	A107	032	1MY1					
1004	0 190	A106	040	1MY16					
1005	0 192	A107	040	1MY16					
1006	0 190	A106	034	1MY2					
1007	0 192	A107	034	1MY2					
1008	0 190	A106	042	1MY32					
1009	0 192	A107	042	1MY32					
1010	0 190	A106	036	1MY4					
1011	0 192	A107	036	1MY4					
1012	0 190	A106	038	1MY8					
1013	0 192	A107	038	1MY8					
1014	0 190	A106	005	1PROT					
1015	0 192	A107	019	1PROT					
1016	0 190	A206	036	1RC8D					
1017	0 192	A207	034	1RC8D					
1018	0 194	A102	013	1SB					
1019	0 193	A201	015	1SB					
1020	0 190	A106	074	1SB0					
1021	0 192	A107	074	1SB0					
1022	0 190	A106	072	1SB1					
1023	0 192	A107	072	1SB1					
1024	0 190	A106	054	1SB10					
1025	0 192	A107	054	1SB10					
1026	0 190	A106	052	1SB11					

MONITOR SYSTEMS INC EQUIPMENT 4 CHAN DUAL PROC I-O
 MAINTENANCE LIST MODEL NO 5215-C
 JOB NO 6758 DWG NO 735-5033 REVB
 DATE FEB 24, 1976 ENGINEER D SNYDER
 LINE CARD TYPE Z LOCN PIN TERM SN S TP DESCRIPTION
 1061 0 192 A207 020 1WRM

1062	0 193	A101	079	111NS					
1063	0 194	A202	023	111NS					
1064	0 193	A101	073	121NS					
1065	0 194	A102	069	121NS					
1066	0 193	A101	043	132NS					
1067	0 194	A102	081	132NS					
1068	0 194	A102	029	28					
1069	0 193	A201	057	28					
1070	0 190	A208	034	28CLK					
1071	0 192	A209	036	28CLK					
1072	0 190	A108	007	28LNK					
1073	0 192	A109	015	28LNK					
1074	0 190	A208	038	280B1					
1075	0 192	A209	038	280B1					
1076	0 190	A208	032	28XFR					
1077	0 192	A209	032	28XFR					
1078	0 190	A108	001	2CHAR					
1079	0 192	A109	011	2CHAR					
1080	0 193	A201	051	2CID8					
1081	0 194	A202	040	2CID8					
1082	0 190	A108	003	2COLR					
1083	0 192	A109	013	2COLR					
1084	0 190	A108	080	2CURC					
1085	0 192	A109	076	2CURC					
1086	0 190	A208	030	2DER					
1087	0 192	A209	030	2DER					
1088	0 193	A201	062	2FLAG					
1089	0 194	A202	074	2FLAG					
1090	0 192	A209	046	2GND					
1091	0 192	A209	080	2GND					
1092	0 190	A208	011	2ID					
1093	0 192	A209	010	2ID					
1094	0 190	A108	009	2INT					

MONITOR SYSTEMS INC
 MAINTENANCE LIST
 JOB NO 6758
 DATE FEB 24, 1976
 LINE CARD TYPE Z

EQUIPMENT 4 CHAN DUAL PROC I-O
 MODEL NO 5215-C
 DWG NO 735-5033 REV8
 ENGINEER D SNYDER
 LOCN PIN TERM SN S TP DESCRIPTION
 A107 052 1S811

LINE	CARD TYPE	Z	LOCN	PIN	TERM	SN	S	TP	DESCRIPTION
1027	0	192	A107	052	1S811				
1028	0	190	A106	050	1S812				
1029	0	192	A107	050	1S912				
1030	0	190	A106	048	1S813				
1031	0	192	A107	048	1S813				
1032	0	190	A106	046	1S814				
1033	0	192	A107	046	1S814				
1034	0	190	A106	044	1S815				
1035	0	192	A107	044	1S815				
1036	0	190	A106	070	1S82				
1037	0	192	A107	070	1S82				
1038	0	190	A106	068	1S83				
1039	0	192	A107	068	1S83				
1040	0	190	A106	066	1S84				
1041	0	192	A107	066	1S84				
1042	0	190	A106	064	1S85				
1043	0	192	A107	064	1S85				
1044	0	190	A106	062	1S86				
1045	0	192	A107	062	1S86				
1046	0	190	A106	060	1S87				
1047	0	192	A107	060	1S87				
1048	0	190	A106	058	1S88				
1049	0	192	A107	058	1S88				
1050	0	190	A106	056	1S89				
1051	0	192	A107	056	1S89				
1052	0	190	A206	021	1S8UR				
1053	0	192	A207	050	1S8UR				
1054	0	190	A206	022	1SSA				
1055	0	192	A207	022	1SSA				
1056	0	190	A206	024	1SSB				
1057	0	192	A207	024	1SSB				
1058	0	194	A103	037	1STWD				
1059	0	192	A204	062	1STWD				
1060	0	190	A206	020	1WRM				

MONITOR SYSTEMS INC EQUIPMENT 4 CHAN DUAL PROC I-O
 MAINTENANCE LIST MODEL NO 5215-C
 JOB NO 6758 DWG NO 735-5033 REV B
 DATE FEB 24, 1976 ENGINEER D SNYDER
 LINE CARD TYPE Z LCCN PIN TERM SN S TP DESCRIPTION
 1129 0 192 A109 036 2MY4

MONITOR SYSTEMS INC EQUIPMENT 4 CHAN DUAL PROC I-O
 MAINTENANCE LIST MODEL NO 5215-C
 JOB NO 6758 DWG NO 735-5033 REV B
 DATE FEB 24, 1976 ENGINEER D SNYDER
 LINE CARD TYPE Z LCCN PIN TERM SN S TP DESCRIPTION
 1197 0 192 A211 080 3GND

1130 0 190 A108 038 2MY8
 1131 0 192 A109 038 2MY8
 1132 0 190 A108 035 2PROT
 1133 0 192 A109 019 2PROT
 1134 0 190 A208 036 2RC8D
 1135 0 192 A209 034 2RC8D
 1136 0 193 A101 015 2S8
 1137 0 194 A102 001 2S8
 1138 0 190 A108 074 2S8D
 1139 0 192 A109 074 2S8D
 1140 0 190 A108 072 2S81
 1141 0 192 A109 072 2S81
 1142 0 190 A108 054 2S81D
 1143 0 192 A109 054 2S81D
 1144 0 190 A108 052 2S811
 1145 0 192 A109 052 2S811
 1146 0 190 A108 050 2S812
 1147 0 192 A109 050 2S812
 1148 0 190 A108 048 2S813
 1149 0 192 A109 048 2S813
 1150 0 190 A108 046 2S814
 1151 0 192 A109 046 2S814
 1152 0 190 A108 044 2S815
 1153 0 192 A109 044 2S815
 1154 0 190 A108 070 2S82
 1155 0 192 A109 070 2S82
 1156 0 190 A108 068 2S83
 1157 0 192 A109 068 2S83
 1158 0 190 A108 066 2S84
 1159 0 192 A109 066 2S84
 1160 0 190 A108 064 2S85
 1161 0 192 A109 064 2S85
 1162 0 190 A108 062 2S86

1198 0 190 A210 011 31D
 1199 0 192 A211 010 31D
 1200 0 190 A110 009 31NT
 1201 0 192 A111 017 31NT
 1202 0 190 A110 076 31NV
 1203 0 192 A111 078 31NV
 1204 0 190 A210 047 3K81K
 1205 0 192 A211 040 3K31K
 1206 0 190 A210 046 31MBR
 1207 0 192 A211 048 31M3R
 1208 0 190 A210 028 3MBR
 1209 0 192 A211 028 3MBR
 1210 0 190 A110 078 3MCLK
 1211 0 192 A111 080 3MCLK
 1212 A210 026 3MKRD
 1213 A211 026 3MK8D
 1214 0 190 A110 020 3MX1
 1215 0 192 A111 020 3MX1
 1216 0 190 A110 028 3MX16
 1217 0 192 A111 028 3MX16
 1218 0 190 A110 022 3MX2
 1219 0 192 A111 022 3MX2
 1220 0 190 A110 030 3MX32
 1221 0 192 A111 030 3MX32
 1222 0 190 A110 024 3MX4
 1223 0 192 A111 024 3MX4
 1224 0 190 A110 026 3MX8
 1225 0 192 A111 026 3MX8
 1226 0 190 A110 032 3MY1
 1227 0 192 A111 032 3MY1
 1228 0 190 A110 040 3MY16
 1229 0 192 A111 040 3MY16
 1230 0 190 A110 034 3MY2

MONITOR SYSTEMS INC
 MAINTENANCE LIST
 JOB NO 675R
 DATE FEB 24, 1976

EQUIPMENT 4 CHAN DUAL PROC I-D
 MODEL NO 5215-C
 DWG NO 735-5033 REV B
 ENGINEER D SNYDER

LINE	CARD	TYPE	Z	LOCN	PIN	TERM	SN	S	TP	DESCRIPTION
1163	D	192		A109	062	25B6				
1164	D	190		A108	060	25B7				
1165	D	192		A109	060	25B7				
1166	D	190		A108	058	25B8				
1167	D	192		A109	058	25B8				
1168	D	190		A108	056	25B9				
1169	D	192		A109	056	25B9				
1170	D	190		A208	021	25CUR				
1171	D	192		A209	050	25CUR				
1172	D	190		A208	022	25SA				
1173	D	192		A209	022	25SA				
1174	D	190		A208	024	25SB				
1175	D	192		A209	024	25SB				
1176	D	190		A208	020	2WRM				
1177	D	192		A209	020	2WRM				
1178	D	190		A210	034	3BCLK				
1179	D	192		A211	036	3BCLK				
1180	D	190		A110	007	3BLNK				
1181	D	192		A111	015	3BLNK				
1182	D	190		A210	038	3B0B1				
1183	D	192		A211	038	3B0B1				
1184	D	190		A210	032	3BXFR				
1185	D	192		A211	032	3BXFR				
1186	D	190		A110	001	3CHAR				
1187	D	192		A111	011	3CHAR				
1188	D	193		A201	047	3CIDB				
1189	D	194		A202	038	3CIDB				
1190	D	190		A110	003	3COLR				
1191	D	192		A111	013	3COLR				
1192	D	190		A110	080	3CURC				
1193	D	192		A111	076	3CURC				
1194	D	190		A210	030	3DEB				
1195	D	192		A211	030	3DEB				
1196	D	192		A211	046	3GND				

MONITOR SYSTEMS INC
 MAINTENANCE LIST
 JOB NO 675R
 DATE FEB 24, 1976

EQUIPMENT 4 CHAN DUAL PROC I-D
 MODEL NO 5215-C
 DWG NO 735-5033 REV B
 ENGINEER D SNYDER

LINE	CARD	TYPE	Z	LOCN	PIN	TERM	SN	S	TP	DESCRIPTION
1231	D	192		A111	034	3MY2				
1232	D	190		A110	042	3MY32				
1233	D	192		A111	042	3MY32				
1234	D	190		A110	036	3MY4				
1235	D	192		A111	036	3MY4				
1236	D	190		A110	038	3MY8				
1237	D	192		A111	038	3MY8				
1238	D	190		A110	005	3PROT				
1239	D	192		A111	019	3PROT				
1240	D	190		A210	036	3RCB0				
1241	D	192		A211	034	3RCB0				
1242	D	193		A201	039	3S8				
1243	D	194		A202	005	3S8				
1244	D	190		A110	074	3S80				
1245	D	192		A111	074	3S80				
1246	D	190		A110	072	3S81				
1247	D	192		A111	072	3S81				
1248	D	190		A110	054	3S810				
1249	D	192		A111	054	3S810				
1250	D	190		A110	052	3S811				
1251	D	192		A111	052	3S811				
1252	D	190		A110	050	3S812				
1253	D	192		A111	050	3S812				
1254	D	190		A110	048	3S813				
1255	D	192		A111	048	3S813				
1256	D	190		A110	046	3S814				
1257	D	192		A111	046	3S814				
1258	D	190		A110	044	3S815				
1259	D	192		A111	044	3S815				
1260	D	190		A110	070	3S82				
1261	D	192		A111	070	3S82				
1262	D	190		A110	068	3S83				
1263	D	192		A111	068	3S83				
1264	D	190		A110	066	3S84				

C-16

MONITOR SYSTEMS INC
 MAINTENANCE LIST
 JOB NO 6758
 DATE FEB 24, 1976
 TIME CARD TYPE Z

EQUIPMENT 4 CHAN DUAL PROC I-O
 MODEL NO 5215-C
 DWG NO 735-5033 REV B
 ENGINEER D SNYDER
 LOCN PIN TERM SN S TP DESCRIPTION

1265 D 192 A111 066 3584

1266 D 190 A110 064 3585
 1267 D 192 A111 064 3585

1268 D 190 A110 062 3586
 1269 D 192 A111 062 3586

1270 D 190 A110 060 3587
 1271 D 192 A111 060 3587

1272 D 190 A110 058 3588
 1273 D 192 A111 058 3588

1274 D 190 A110 056 3589
 1275 D 192 A111 056 3589

1276 D 190 A210 021 35CUR
 1277 D 192 A211 020 35CUR

1278 D 190 A210 022 35SA
 1279 D 192 A211 022 35SA

1280 D 190 A210 024 35SB
 1281 D 192 A211 024 35SB

1282 D 190 A210 020 3WRM
 1283 D 192 A211 020 3WRM

1284 D 190 A112 005 4 ROT
 1285 D 192 A113 019 4 ROT

1286 D 190 A212 034 4BCLK
 1287 D 192 A213 036 4BCLK

1288 D 190 A112 007 4BLNK
 1289 D 192 A113 015 4BLNK

1290 D 190 A212 038 480B1
 1291 D 192 A213 038 480B1

1292 D 190 A212 032 48XFR
 1293 D 192 A213 032 48XFR

1294 D 190 A112 001 4CHAR
 1295 D 192 A113 011 4CHAR

1296 D 193 A201 049 4CIDB
 1297 D 194 A202 063 4CIDB

1298 D 190 A112 003 4COLR

1333 D 192 A113 026 4MX8
 1334 D 190 A112 032 4MY1
 1335 D 192 A113 032 4MY1

1336 D 190 A112 040 4MY16
 1337 D 192 A113 040 4MY16

1338 D 190 A112 034 4MY2
 1339 D 192 A113 034 4MY2

1340 D 190 A112 042 4MY32
 1341 D 192 A113 042 4MY32

1342 D 190 A112 036 4MY4
 1343 D 192 A113 036 4MY4

1344 D 190 A112 038 4MY8
 1345 D 192 A113 038 4MY8

1346 D 190 A212 036 4RC8D
 1347 D 192 A213 034 4RC8D

1348 D 193 A201 037 4S8
 1349 D 194 A202 009 4S8

1350 D 190 A112 074 4S80
 1351 D 192 A113 074 4S80

1352 D 190 A112 072 4S81
 1353 D 192 A113 072 4S81

1354 D 190 A112 054 4S910
 1355 D 192 A113 054 4S910

1356 D 190 A112 052 4S811
 1357 D 192 A113 052 4S811

1358 D 190 A112 050 4S812
 1359 D 192 A113 050 4S812

1360 D 190 A112 048 4S813
 1361 D 192 A113 048 4S813

1362 D 190 A112 046 4S814
 1363 D 192 A113 046 4S814

1364 D 190 A112 044 4S815
 1365 D 192 A113 044 4S815

1366 D 190 A112 070 4S82

MONITOR SYSTEMS INC
 MAINTENANCE LIST
 JOB NO 6758
 DATE FEB 24, 1976
 LINE CARD TYPE Z

EQUIPMENT 4 CHAN DUAL PROC I-O
 MODEL NO 5215-C
 ENG NO 735-5033 REV B
 ENGINEER D SNYDER
 SN S TP DESCRIPTION

LINE	CARD TYPE	Z	LOCN	PIN	TERM	SN	S	TP	DESCRIPTION
1299	D	192	A113	013	4CCLR				
1300	D	190	A112	080	4CURC				
1301	D	192	A113	076	4CURC				
1302	D	190	A212	030	4DEB				
1303	D	192	A213	030	4DEB				
1304	D	192	A213	046	4GND				
1305	D	192	A213	080	4GND				
1306	D	190	A212	011	4ID				
1307	D	192	A213	010	4ID				
1308	D	190	A112	009	4INT				
1309	D	192	A113	017	4INT				
1310	D	190	A112	076	4INV				
1311	D	192	A113	078	4INV				
1312	D	190	A212	047	4KBLK				
1313	D	192	A213	040	4KBLK				
1314	D	190	A212	046	4LMBR				
1315	D	192	A213	048	4LMBR				
1316	D	190	A212	028	4MBR				
1317	D	192	A213	028	4MBR				
1318	D	190	A112	078	4MCLK				
1319	D	192	A113	080	4MCLK				
1320	D	190	A212	026	4MKBD				
1321	D	192	A213	026	4MKBD				
1322	D	190	A112	020	4MX1				
1323	D	192	A113	020	4MX1				
1324	D	190	A112	028	4MX16				
1325	D	192	A113	028	4MX16				
1326	D	190	A112	022	4MX2				
1327	D	192	A113	022	4MX2				
1328	D	190	A112	030	4MX32				
1329	D	192	A113	030	4MX32				
1330	D	190	A112	024	4MX4				
1331	D	192	A113	024	4MX4				
1332	D	190	A112	026	4MX8				

MONITOR SYSTEMS INC
 MAINTENANCE LIST
 JOB NO 6758
 DATE FEB 24, 1976
 LINE CARD TYPE Z

EQUIPMENT 4 CHAN DUAL PROC I-O
 MODEL NO 5215-C
 ENG NO 735-5033 REV B
 ENGINEER D SNYDER
 SN S TP DESCRIPTION

LINE	CARD TYPE	Z	LOCN	PIN	TERM	SN	S	TP	DESCRIPTION
1367	D	192	A113	070	4S82				
1368	D	190	A112	068	4S83				
1369	D	192	A113	068	4S83				
1370	D	190	A112	066	4S84				
1371	D	192	A113	066	4S84				
1372	D	190	A112	064	4S85				
1373	D	192	A113	064	4S85				
1374	D	190	A112	062	4S86				
1375	D	192	A113	062	4S86				
1376	D	190	A112	060	4S87				
1377	D	192	A113	060	4S87				
1378	D	190	A112	058	4S88				
1379	D	192	A113	058	4S88				
1380	D	190	A112	056	4S89				
1381	D	192	A113	056	4S89				
1382	D	190	A212	021	4SCUR				
1383	D	192	A213	021	4SCUR				
1384	D	190	A212	022	4SSA				
1385	D	192	A213	022	4SSA				
1386	D	190	A212	024	4SSB				
1387	D	192	A213	024	4SSB				
1388	D	190	A212	020	4WRM				
1389	D	192	A213	020	4WRM				
1390	D	193	A201	073	5FLAG				
1391	D	194	A202	076	5FLAG				
1392	D	193	A201	005	5SB				
1393	D	194	A202	020	5SB				
1394	D	193	A201	045	6SB				
1395	D	194	A202	035	6SB				
1396	D	191	A205	059	6JBR				
1397	D	190	A206	076	6JBR				
1398	D	190	A208	076	6JBR				
1399	D	190	A210	076	6JBR				
1400	D	190	A212	076	6JBR				
1401	D	191	A205	001	7RS1				

MONITOR SYSTEMS INC
 MAINTENANCE LIST
 JOB NO 6758
 DATE FEB 24, 1976

EQUIPMENT 4 CHAN DUAL PROC 1-0
 MODEL NO 5215-C
 DWG NO 735-5033 REV B
 ENGINEER D SNYDER

LINE	CARD	TYPE	Z	LOCN	PIN	TERM	SN	S	TP	DESCRIPTION
1402	D	190		A206	052	7RS1				
1403	D	190		A208	052	7RS1				
1404	D	190		A210	052	7RS1				
1405	D	190		A212	052	7RS1				
1406	D	191		A205	003	7RS2				
1407	D	190		A206	050	7RS2				
1408	D	190		A208	050	7RS2				
1409	D	190		A210	050	7RS2				
1410	D	190		A212	050	7RS2				
1411	D	191		A205	005	7RS3				
1412	D	190		A206	048	7RS3				
1413	D	190		A208	048	7RS3				
1414	D	190		A210	048	7RS3				
1415	D	190		A212	048	7RS3				
1416	D	191		A105	080	7RS3-				
1417	D	190		A206	064	7RS3-				
1418	D	190		A208	064	7RS3-				
1419	D	190		A210	064	7RS3-				
1420	D	190		A212	064	7RS3-				
1421	D	193		A201	007	7SB				
1422	D	194		A202	071	7SB				
1423	D	193		A201	031	8CIDB				
1424	D	194		A202	026	8CIDB				
1425	D	193		A101	065	8FLAG				
1426	D	194		A102	041	8FLAG				
1427	D	193		A101	083	8SB				
1428	D	194		A202	016	8SB				
1429				A105	081	80SEL				
1430	D	191		A105	083	80SEL				
1431	D	191		A105	074	9RS1-				
1432	D	190		A206	060	9RS1-				
1433	D	190		A208	060	9RS1-				
1434	D	190		A210	060	9RS1-				
1435	D	190		A212	060	9RS1-				
1436	D	191		A105	072	9RS2-				
1437	D	190		A206	062	9RS2-				
1438	D	190		A208	062	9RS2-				
1439	D	190		A210	062	9RS2-				
1440	D	190		A212	062	9RS2-				
1441	D	191		A105	076	9RS4-				

C-19

MONITOR SYSTEMS INC
 MAINTENANCE LIST
 JOB NO 6758
 DATE FEB 24, 1976

EQUIPMENT 4 CHAN DUAL PROC 1-0
 MODEL NO 5215-C
 DWG NO 735-5033 REV B
 ENGINEER D SNYDER

LINE	CARD	TYPE	Z	LOCN	PIN	TERM	SN	S	TP	DESCRIPTION
1442	D	190		A206	066	9RS4-				
1443	D	190		A208	066	9RS4-				
1444	D	190		A210	066	9RS4-				
1445	D	190		A212	066	9RS4-				

MONITOR SYSTEMS INC
 CAPD IMAGE LIST
 JOB NO 6758
 DATE FEB 24, 1976

EQUIPMENT 4 CHAN DUAL PROC 1-0
 MODEL NO 5215-C
 DWG NO 735-5033 REV B
 ENGINEER D SNYDER

LINE	CARD	TYPE	Z	LOCN	PIN	TERM	SN	S	TP	DESCRIPTION
0001		D	193	A101	005	RCRC-				
0002		D	193	A101	007	CTOUT				
0003		D	193	A101	009	CA2A				
0004				A101	011	C3-				
0005		D	193	A101	013	CA1A				
0006		D	193	A101	015	2SB				
0007		D	193	A101	017	FGFR-				
0008		D	193	A101	019	-RINT				
0009		D	193	A101	021	MSKLD				
0010		D	193	A101	023	CA4A				
0011		D	194	A101	025	C1-				
0012		D	194	A101	031	C2-				
0013		D	193	A101	033	CA3A				
0014				A101	035	C4-				
0015		D	193	A101	037	WDIST				
0016		D	193	A101	039	WDSL				
0017				A101	041	NTNT-				
0018		D	193	A101	043	132NS				
0019		D	193	A101	044	TXRE-				
0020		D	193	A101	061	FEX				
0021		D	193	A101	065	8FLAG				
0022		D	193	A101	067	CHGST				
0023		D	193	A101	069	ADST-				
0024		D	193	A101	071	STDES				
0025		D	193	A101	073	12INS				
0026		D	193	A101	079	11INS				
0027				A101	081	RESET				
0028		D	193	A101	083	BSB				
0029		D	193	A101	085	ADRE-				
0030		D	194	A102	001	2SB				
0031		D	194	A102	002	ADGD-				
0032		D	194	A102	004	FEX				
0033		D	194	A102	006	-FEX				
0034		D	194	A102	008	XFULL				
0035		D	194	A102	010	YFULL				
0036		D	194	A102	011	RDWD-				
0037		D	194	A102	013	1SB				
0038		D	194	A102	014	CH1AC				
0039		D	194	A102	015	CTOUT				
0040		D	194	A102	016	CH2AC				
0041		D	194	A102	017	BSYPR				
0042		D	194	A102	018	CH3AC				
0043		D	194	A102	019	CH3TP				
0044		D	194	A102	020	CH4AC				
0045		D	194	A102	021	CH1TP				
0046		D	194	A102	023	CH4TP				
0047		D	194	A102	026	B4-				
0048		D	194	A102	028	VRTDR				
0049		D	194	A102	029	2B				
0050		D	194	A102	031	B2-				

C-20

MONITOR SYSTEMS INC
 CAPD IMAGE LIST
 JOB NO 6759
 DATE FEB 24, 1976

EQUIPMENT 4 CHAN DUAL PROC 1-0
 MODEL NO 5215-C
 DWG NO 735-5033 REV B
 ENGINEER D SNYDER

LINE	CARD	TYPE	Z	LOCN	PIN	TERM	SN	S	TP	DESCRIPTION
0101				A103	083	S88				
0102				A103	085	RGDAD				
0103		D	194	A104	001	S82				
0104		D	194	A104	002	GDA0-				
0105		D	194	A104	004	FEX				
0106		D	194	A104	006	FEX-				
0107		D	194	A104	008	XFULL				
0108		D	194	A104	010	YFULL				
0109		D	194	A104	011	CWRDY				
0110		D	194	A104	013	SR1				
0111		D	194	A104	014	CH1AC				
0112		D	194	A104	015	CTIME				
0113		D	194	A104	016	CH2AC				
0114		D	194	A104	017	PRBSY				
0115		D	194	A104	018	CH3AC				
0116		D	194	A104	019	CH3TP				
0117		D	194	A104	020	CH4AC				
0118		D	194	A104	021	CH1TP				
0119		D	194	A104	023	CH4TP				
0120		D	194	A104	026	B4-				
0121		D	194	A104	028	VRTDR				
0122		D	194	A104	029	B2				
0123		D	194	A104	031	B2-				
0124		D	194	A104	032	B7-				
0125		D	194	A104	039	CDA-				
0126		D	194	A104	041	FLAG8				
0127		D	194	A104	043	PUR-				
0128		D	194	A104	044	RTXMD				
0129		D	194	A104	049	CH2TP				
0130				A104	053	BUS10				04
0131				A104	056	BUS12				04
0132		D	194	A104	058	RKDA-				
0133		D	194	A104	061	C4KPR				
0134		D	194	A104	063	C3KPR				
0135		D	194	A104	064	C2KPR				
0136		D	194	A104	065	C1KPR				
0137				A104	067	BUS9				04
0138		D	194	A104	069	INS12				
0139		D	194	A104	071	PRITM				
0140				A104	073	BUS11				04
0141		D	194	A104	075	LDTSM				
0142		D	194	A104	077	LDDTM				
0143		D	194	A104	079	LDCAG				
0144		D	194	A104	080	CA1				
0145		D	194	A104	081	INS13				
0146		D	194	A104	082	CA2				
0147		D	194	A104	083	CDSTB				
0148		D	194	A104	084	CA3				
0149				A104	085	BUS8				
0150		D	194	A104	086	CA4				

MONITOR SYSTEMS INC
 CARD IMAGE LIST
 JOB NO 6758
 DATE FEB 24, 1976

EQUIPMENT 4 CHAN DUAL PROC I-O
 MODEL NO 5215-C
 DWG NO 735-5033 REV B
 ENGINEER D SNYDER

LINE	CARD	TYPE	Z	LOCN	PIN	TERM	SN	S	TP	DESCRIPTION
0051	D	194		A102	032	B7-				
0052	D	194		A102	039	AVCD-				
0053	D	194		A102	041	8FLAG				
0054	D	194		A102	043	PUR-				
0055	D	194		A102	044	TXRE-				
0056	D	194		A102	049	CH2TP				
0057				A102	053	BUS10		02		
0058				A102	056	BUS12		02		
0059	D	194		A102	058	RKDA-				
0060				A102	067	RHS9		02		
0061	D	194		A102	069	I2INS				
0062	D	194		A102	071	TMPR1				
0063				A102	073	BUS11		02		
0064	D	194		A102	075	TXSTL				
0065	D	194		A102	077	MSKLD				
0066	D	194		A102	079	CHADL				
0067	D	194		A102	080	CA1A				
0068	D	194		A102	081	I32NS				
0069	D	194		A102	082	CA2A				
0070	D	194		A102	083	STDES				
0071	D	194		A102	084	CA3A				
0072	D	194		A102	085	BUS8				
0073	D	194		A102	086	CA4A				
0074				A103	005	RLRC				
0075				A103	007	CTIME				
0076				A103	009	CA2				
0077				A103	011	C3-				
0078				A103	013	CA1				
0079				A103	015	SB2				
0080				A103	017	FERR-				
0081				A103	019	RINT-				
0082				A103	021	LODIM				
0083				A103	023	CA4				
0084	D	194		A103	025	C1-				
0085				A103	031	C2-				
0086				A103	033	CA3				
0087				A103	035	C4-				
0088				A103	037	I1TWD				
0089				A103	039	L1TWD				
0090				A103	041	NINT-				
0091				A103	043	INS13				
0092				A103	044	RTXMD				
0093	D	193		A103	061	FEX				
0094				A103	065	FLAG8				
0095				A103	067	PRSCH				
0096				A103	069	STBAD				
0097				A103	071	CDST8				
0098				A103	073	INS12				
0099				A103	079	INS11				
0100				A103	081	RESET				

C-21

MONITOR SYSTEMS INC
 CARD IMAGE LIST
 JOB NO 6758
 DATE FEB 24, 1976

EQUIPMENT 4 CHAN DUAL PROC I-O
 MODEL NO 5215-C
 DWG NO 735-5033 REV B
 ENGINEER D SNYDER

LINE	CARD	TYPE	Z	LOCN	PIN	TERM	SN	S	TP	DESCRIPTION
0151	D	191		A105	011	BS16-				
0152	D	191		A105	013	PJR-				
0153	D	191		A105	014	PRBSY				
0154	D	191		A105	016	B5-				
0155	D	191		A105	020	B7-				
0156	D	191		A105	022	B4-				
0157	D	191		A105	024	B3-				
0158	D	191		A105	026	B2-				
0159	D	191		A105	028	B1-				
0160	D	191		A105	034	REFTM				
0161	D	191		A105	036	FEX				
0162	D	191		A105	043	RX2-				
0163	D	191		A105	045	RX1-				
0164	D	191		A105	047	RX4-				
0165	D	191		A105	049	RX8-				
0166				A105	051	TMPR1				
0167	D	191		A105	053	PRITM				
0168				A105	055	BSYPR				
0169	D	191		A105	059	RX32-				
0170	D	191		A105	061	RX16-				
0171	D	191		A105	063	RX64-				
0172				A105	064	HBLNK				
0173				A105	066	VBLNK				
0174	D	191		A105	067	CBUFA				
0175	D	191		A105	069	CBUF8				
0176	D	191		A105	072	9RS2-				
0177	D	191		A105	074	9RS1-				
0178	D	191		A105	076	9RS4-				
0179	D	191		A105	080	7RS3-				
0180				A105	081	80SEL				
0181	D	191		A105	082	S003				
0182	D	191		A105	083	80SEL				
0183	D	191		A105	085	S003				
0184	D	190		A106	001	1CHAR				
0185	D	190		A106	003	1COLR				
0186	D	190		A106	005	1PR0T				
0187	D	190		A106	007	1BLNK				
0188	D	190		A106	009	1INT				
0189				A106	011	C0B15			06	
0190				A106	013	C0B14			06	
0191				A106	015	C0B13			06	
0192				A106	017	C0B12			06	
0193				A106	019	C0B11			06	
0194	D	190		A106	020	1MX1				
0195				A106	021	C0B10			06	
0196	D	190		A106	022	1MX2				
0197				A106	023	C0B9			06	
0198	D	190		A106	024	1MX4				
0199				A106	025	C0B8			06	

MONITOR SYSTEMS INC
 CARD IMAGE LIST
 JOB NO 6758
 DATE FEB 24, 1976
 LINE CARD TYPE Z

EQUIPMENT 4 CHAN DUAL PROC I-0

MODEL NO 5215-C
 DWG NO 735-5033 REV B
 ENGINEER D SNYDER

SN S TP DESCRIPTION

LOCN	PIN	TERM	SN	S	TP	DESCRIPTION
A106	026	IMX8				
A106	027	CD87	06			
A106	028	IMX16				
A106	029	CD86	06			
A106	030	IMX32				
A106	031	CD85	06			
A106	032	IMY1				
A106	033	CD84	06			
A106	034	IMY2				
A106	035	CD83	06			
A106	036	IMY4				
A106	037	CD82	06			
A106	038	IMY8				
A106	039	CD81	06			
A106	040	IMY16				
A106	041	CD80	06			
A106	042	IMY32				
A106	043	BUS1	06			
A106	044	ISB15				
A106	045	BUS2	06			
A106	046	ISB14				
A106	047	BUS3	06			
A106	048	ISB13				
A106	049	BUS4	06			
A106	050	ISB12				
A106	051	BUS5	06			
A106	052	ISB11				
A106	053	BUS6	06			
A106	054	ISB10				
A106	055	BUS7	06			
A106	056	ISB9				
A106	057	BUS8				
A106	058	ISB8				
A106	059	BUS9	06			
A106	060	ISB7				
A106	061	BUS10	06			
A106	062	ISB6				
A106	063	BUS11	06			
A106	064	ISB5				
A106	065	BUS12	06			
A106	066	ISB4				
A106	067	BUS13	06			
A106	068	ISB3				
A106	069	BUS14	06			
A106	070	ISB2				
A106	071	BUS15	06			
A106	072	ISB1				
A106	073	BUS16	06			
A106	074	ISB0				
A106	076	IMV				
A106	077	IMCLK				
A106	078	IMCLK				

MONITOR SYSTEMS INC
 CARD IMAGE LIST
 JOB NO 6758
 DATE FEB 24, 1976
 LINE CARD TYPE Z

EQUIPMENT 4 CHAN DUAL PROC I-0

MODEL NO 5215-C
 DWG NO 735-5033 REV B
 ENGINEER D SNYDER

SN S TP DESCRIPTION

LOCN	PIN	TERM	SN	S	TP	DESCRIPTION
A107	056	ISR9				
A107	057	BUS8				
A107	058	ISB3				
A107	059	BUS9	07			
A107	060	ISB7				
A107	061	BUS10	07			
A107	062	ISB6				
A107	063	BUS11	07			
A107	064	ISB5				
A107	065	BUS12	07			
A107	066	ISB4				
A107	067	BUS13	07			
A107	068	ISB3				
A107	069	BUS14	07			
A107	070	ISB2				
A107	071	BUS15	07			
A107	072	ISB1				
A107	073	BUS16	07			
A107	074	ISB0				
A107	075	OSB1-				
A107	076	ICURC				
A107	077	OSB2-				
A107	078	IMV				
A107	079	OSB3-				
A107	080	IMCLK				
A107	081	OSB4-				
A107	083	OSB5-				
A107	084	OSGND	07			
A107	085	OSTA-				
A108	001	ZCHAR				
A108	003	ZCOLR				
A108	005	ZPRNT				
A108	007	ZBLNK				
A108	009	ZINT				
A108	011	CD815	08			
A108	013	CD814	08			
A108	015	CD813	08			
A108	017	CD812	08			
A108	019	CD811	08			
A108	020	ZMX1				
A108	021	CD810	08			
A108	022	ZMX2				
A108	023	CD89	08			
A108	024	ZMX4				
A108	025	CD88	08			
A108	026	ZMX9				
A108	027	CD87	08			
A108	028	ZMX16				
A108	029	CD86	08			
A108	030	ZMX32				
A108	030	0190				
A108	031	0190				
A108	032	0190				
A108	033	0190				
A108	034	0190				
A108	035	0190				
A108	036	0190				
A108	037	0190				
A108	038	0190				
A108	039	0190				
A108	040	0190				
A108	041	0190				
A108	042	0190				
A108	043	0190				
A108	044	0190				
A108	045	0190				
A108	046	0190				
A108	047	0190				
A108	048	0190				
A108	049	0190				
A108	050	0190				

MONITOR SYSTEMS INC
 CARD IMAGE LIST
 JOB NO 6758
 DATE FEB 24, 1976
 LINE CARD TYPE Z

EQUIPMENT 4 CHAN DUAL PROC I-0
 MODEL NO 5215-C
 DWG NO 735-5033 REVB
 ENGINEER D SNYDER
 SN S TP DESCRIPTION

LOCN PIN TERM
 A106 080 ICURC
 A106 083 C2JNT 06
 A106 085 C3JNT 06

LINE	CARD TYPE	Z	LOCN	PIN	TERM	SN	S	TP	DESCRIPTION
0251	0190		A107	001	YCLP1				
0252			A107	002	YCLP1				
0253			A107	003	YCLP1				
0254			A107	004	YGND1				
0255			A107	005	YCLP1				
0256			A107	006	YCLP1				
0257			A107	007	YCLP1				
0258			A107	008	YCLP1				
0259			A107	009	YGND1				
0260			A107	010	YCLP1				
0261			A107	011	ICURC				
0262			A107	012	YCLP1				
0263			A107	013	ICURC				
0264			A107	014	YCLP1				
0265			A107	015	YCLP1				
0266			A107	016	YGND1				
0267			A107	017	YCLP1				
0268			A107	018	YCLP1				
0269			A107	019	YCLP1				
0270			A107	020	YCLP1				
0271			A107	021	YCLP1				
0272			A107	022	YCLP1				
0273			A107	023	YCLP1				
0274			A107	024	YCLP1				
0275			A107	025	YCLP1				
0276			A107	026	YCLP1				
0277			A107	027	YCLP1				
0278			A107	028	YCLP1				
0279			A107	029	YCLP1				
0280			A107	030	YCLP1				
0281			A107	031	YCLP1				
0282			A107	032	YCLP1				
0283			A107	033	YCLP1				
0284			A107	034	YCLP1				
0285			A107	035	YCLP1				
0286			A107	036	YCLP1				
0287			A107	037	YCLP1				
0288			A107	038	YCLP1				
0289			A107	039	YCLP1				
0290			A107	040	YCLP1				
0291			A107	041	YCLP1				
0292			A107	042	YCLP1				
0293			A107	043	YCLP1				
0294			A107	044	YCLP1				
0295			A107	045	YCLP1				
0296			A107	046	YCLP1				
0297			A107	047	YCLP1				
0298			A107	048	YCLP1				
0299			A107	049	YCLP1				
0300			A107	050	YCLP1				

MONITOR SYSTEMS INC
 CARD IMAGE LIST
 JOB NO 6758
 DATE FEB 24, 1976

EQUIPMENT 4 CHAN DUAL PROC I-0
 MODEL NO 5215-C
 DWG NO 735-5033 RFVB
 ENGINEER D SNYDER

LINE	CARD TYPE	Z	LOCN	PIN	TERM	SN	S	TP	DESCRIPTION
0401			A109	002	YCLP2				
0402			A109	003	YCLP2				
0403			A109	004	YGND2				
0404			A109	005	YCLP2				
0405			A109	006	YCLP2				
0406			A109	007	YCLP2				
0407			A109	008	YCLP2				
0408			A109	009	YGND2				
0409			A109	010	YCLP2				
0410	D	192	A109	011	2CHAR				
0411			A109	012	YCLP2				
0412	D	192	A109	013	2COLR				
0413			A109	014	YCLP2				
0414	D	192	A109	015	2BLNK				
0415			A109	016	YGND2				
0416	D	192	A109	017	2INT				
0417			A109	018	YCLP2				
0418	D	192	A109	019	2PROT				
0419	D	192	A109	020	2MX1				
0420	D	192	A109	022	2MX2				
0421	D	192	A109	023	FTGND				
0422	D	192	A109	024	2MX4				
0423			A109	025	V8LNK				
0424	D	192	A109	026	2MX8				
0425			A109	027	H8LNK				
0426	D	192	A109	028	2MX16				
0427	D	192	A109	030	2MX32				
0428	D	192	A109	032	2MY1				
0429	D	192	A109	034	2MY2				
0430	D	192	A109	036	2MY4				
0431	D	192	A109	038	2MY8				
0432	D	192	A109	040	2MY16				
0433	D	192	A109	042	2MY32				
0434			A109	043	BUS1	09			
0435	D	192	A109	044	2SB15				
0436			A109	045	BUS2	09			
0437	D	192	A109	046	2SB14				
0438			A109	047	BUS3	09			
0439	D	192	A109	048	2SB13				
0440			A109	049	BUS4	09			
0441	D	192	A109	050	2SB12				
0442			A109	051	BUS5	09			
0443	D	192	A109	052	2SB11				
0444			A109	053	BUS6	09			
0445	D	192	A109	054	2SB10				
0446			A109	055	BUS7	09			
0447	D	192	A109	056	2SB9				
0448		192	A109	057	BUS8				
0449	D	192	A109	058	2SB9				
0450			A109	059	BUS9	09			
0451	D	192	A109	060	2SB7				

C24

MONITOR SYSTEMS INC
 CARD IMAGE LIST
 JOB NO 6758
 DATE FEB 24, 1976

EQUIPMENT 4 CHAN DUAL PROC I-0
 MODEL NO 5215-C
 DWG NO 735-5033 RFVB
 ENGINEER D SNYDER

LINE	CARD TYPE	Z	LOCN	PIN	TERM	SN	S	TP	DESCRIPTION
0502	D	190	A110	036	3MY4				
0503			A110	037	CDB2	10			
0504	D	190	A110	038	3MY8				
0505			A110	039	CDB1	10			
0506	D	190	A110	040	3MY16				
0507			A110	041	CDB0	10			
0508	D	190	A110	042	3MY32				
0509			A110	043	BUS1	10			
0510	D	190	A110	044	3SB15				
0511			A110	045	BUS2	10			
0512	D	190	A110	046	3S314				
0513			A110	047	BUS3	10			
0514	D	190	A110	048	3SB13				
0515			A110	049	BUS4	10			
0516	D	190	A110	050	3SB12				
0517			A110	051	BUS5	10			
0518	D	190	A110	052	3SB11				
0519			A110	053	BUS6	10			
0520	D	190	A110	054	3SB10				
0521			A110	055	BUS7	10			
0522	D	190	A110	056	3SB9				
0523		190	A110	057	BUS8				
0524	D	190	A110	058	3SB8				
0525			A110	059	BUS9	10			
0526	D	190	A110	060	3SB7				
0527			A110	061	BUS10	10			
0528	D	190	A110	062	3SB6				
0529			A110	063	BUS11	10			
0530	D	190	A110	064	3SB5				
0531			A110	065	BUS12	10			
0532	D	190	A110	066	3SB4				
0533			A110	067	BUS13	10			
0534	D	190	A110	068	3SB3				
0535			A110	069	BUS14	10			
0536	D	190	A110	070	3SB2				
0537			A110	071	BUS15	10			
0538	D	190	A110	072	3SB1				
0539			A110	073	BUS16	10			
0540	D	190	A110	074	3SB0				
0541	D	190	A110	076	3TNV				
0542	D	190	A110	078	3MCLK				
0543	D	190	A110	080	3CURC				
0544			A110	081	C1INT	10			
0545			A110	083	C2INT	10			
0546			A111	001	YCLP3				
0547			A111	002	YCLP3				
0548			A111	003	YCLP3				
0549			A111	004	YGND3				
0550			A111	005	YCLP3				
0551			A111	006	YCLP3				

MONITOR SYSTEMS INC
 CARD IMAGE LIST
 JOB NO 6758
 DATE FEB 24, 1976

EQUIPMENT 4 CHAN DUAL PROC 1-0
 MODEL NO 5215-C
 DWG NO 735-5033 REV B
 ENGINEER D SNYDER

LINE	CARD	TYPE	Z	LOCN	PIN	TRM	SN	S	TP	DESCRIPTION
0452				A109	061	BUS10	09			
0453	D	192		A109	062	2S86				
0454				A109	063	BUS11	09			
0455	D	192		A109	064	2S85				
0456				A109	065	BUS12	09			
0457	D	192		A109	066	2S84				
0458				A109	067	BUS13	09			
0459	D	192		A109	068	2S83				
0460				A109	069	BUS14	09			
0461	D	192		A109	070	2S82				
0462				A109	071	BUS15	09			
0463	D	192		A109	072	2S81				
0464				A109	073	BUS16	09			
0465	D	192		A109	074	2S80				
0466	D	192		A109	075	DSB1-				
0467	D	192		A109	076	2CURC				
0468	D	192		A109	077	DSB2-				
0469	D	192		A109	078	2INV				
0470	D	192		A109	079	DS3B-				
0471	D	192		A109	080	2MCLK				
0472	D	192		A109	081	DSB4-				
0473	D	192		A109	083	DSB5-				
0474				A109	084	DSGND	09			
0475	D	192		A109	085	DSTB-				
0476	D	190		A110	001	3CHAR				
0477	D	190		A110	003	3COLR				
0478	D	190		A110	005	3PROT				
0479	D	190		A110	007	3BLNK				
0480	D	190		A110	009	3INT				
0481				A110	011	CDB15	10			
0482				A110	013	CDB14	10			
0483				A110	015	CDB13	10			
0484				A110	017	CDB12	10			
0485				A110	019	CDB11	10			
0486	D	190		A110	020	3MX1				
0487				A110	021	CDB10	10			
0488	D	190		A110	022	3MX2				
0489				A110	023	CDB9	10			
0490	D	190		A110	024	3MX4				
0491				A110	025	CDB8	10			
0492	D	190		A110	026	3MX8				
0493				A110	027	CDB7	10			
0494	D	190		A110	028	3MX16				
0495				A110	029	CDB6	10			
0496	D	190		A110	030	3MX32				
0497				A110	031	CDB5	10			
0498	D	190		A110	032	3MY1				
0499				A110	033	CDB4	10			
0500	D	190		A110	034	3MY2				
0501				A110	035	CDB3	10			

C-25

MONITOR SYSTEMS INC
 CARD IMAGE LIST
 JOB NO 6750

EQUIPMENT 4 CHAN DUAL PROC 1-0
 MODEL NO 5215-C
 DWG NO 735-5033 REV B
 ENGINEER D SNYDER

LINE	CARD	TYPE	Z	LOCN	PIN	TRM	SN	S	TP	DESCRIPTION
0552				A111	007	YCLP3				
0553				A111	009	YCLP3				
0554				A111	009	YGN03				
0555				A111	010	YCLP3				
0556	D	192		A111	011	3CHAR				
0557				A111	012	YCLP3				
0558	D	192		A111	013	3COLR				
0559				A111	014	YCLP3				
0560	D	192		A111	015	3BLNK				
0561				A111	016	YGN03				
0562	D	192		A111	017	3INT				
0563				A111	018	YCLP3				
0564	D	192		A111	019	3PROT				
0565	D	192		A111	020	3MX1				
0566	D	192		A111	022	3MX2				
0567	D	192		A111	023	FTGND				
0568	D	192		A111	024	3MX4				
0569				A111	025	VBLNK				
0570	D	192		A111	026	3MX8				
0571				A111	027	HBLNK				
0572	D	192		A111	028	3MX16				
0573	D	192		A111	030	3MX32				
0574	D	192		A111	032	3MY1				
0575	D	192		A111	034	3MY2				
0576	D	192		A111	036	3MY4				
0577	D	192		A111	038	3MY8				
0578	D	192		A111	040	3MY16				
0579	D	192		A111	042	3MY32				
0580				A111	043	BUS1	11			
0581	D	192		A111	044	3SB15				
0582				A111	045	BUS2	11			
0583	D	192		A111	046	3SB14				
0584				A111	047	BUS3	11			
0585	D	192		A111	048	3SB13				
0586				A111	049	BUS4	11			
0587	D	192		A111	050	3SB12				
0588				A111	051	BUS5	11			
0589	D	192		A111	052	3SB11				
0590				A111	053	BUS6	11			
0591	D	192		A111	054	3SB10				
0592				A111	055	BUS7	11			
0593	D	192		A111	056	3SB9				
0594				A111	057	BUS8				
0595	D	192		A111	058	3SB8				
0596				A111	059	BUS9	11			
0597	D	192		A111	060	3SB7				
0598				A111	061	BUS10	11			
0599	D	192		A111	062	3SB6				
0600				A111	063	BUS11	11			
0601	D	192		A111	064	3SB5				
0602				A111	065	BUS12	11			

MONITOR SYSTEMS INC
 CARD IMAGE LIST
 JOB NO 6758
 DATE FEB 24, 1976

EQUIPMENT 4 CHAN DUAL PROC I-O
 MODEL NO 5215-C
 DWG NO 735-5033 REV B
 ENGINEER D SNYDER

LINE	CARD	TYPE	Z	LOCN	PIN	TERM	SN	S	TP	DESCRIPTION
0603	D	192		A111	066	3SB4				
0604				A111	067	BUS13	11			
0605	D	192		A111	068	3SB3				
0606				A111	069	BUS14	11			
0607	D	192		A111	070	3SB2				
0608				A111	071	BUS15	11			
0609	D	192		A111	072	3SB1				
0610				A111	073	BUS16	11			
0611	D	192		A111	074	3SB0				
0612	D	192		A111	075	DSB1-				
0613	D	192		A111	076	3CURC				
0614	D	192		A111	077	DSB2-				
0615	D	192		A111	078	3INV				
0616	D	192		A111	079	DSB3-				
0617	D	192		A111	080	3MCLK				
0618	D	192		A111	081	DSB4-				
0619	D	192		A111	083	DSB5-				
0620				A111	084	DSGND	11			
0621	D	192		A111	085	DSTB-				
0622	D	190		A112	001	4CHAR				
0623	D	190		A112	003	4COLR				
0624	D	190		A112	005	4 ROT				
0625	D	190		A112	007	4BLNK				
0626	D	190		A112	009	4INT				
0627				A112	011	CDB15	12			
0628				A112	013	CDB14	12			
0629				A112	015	CDB13	12			
0630				A112	017	CDB12	12			
0631				A112	019	CDB11	12			
0632	D	190		A112	020	4MX1				
0633				A112	021	CDB10	12			
0634	D	190		A112	022	4MX2				
0635				A112	023	CDB9	12			
0636	D	190		A112	024	4MX4				
0637				A112	025	CDB8	12			
0638	D	190		A112	026	4MX3				
0639				A112	027	CDB7	12			
0640	D	190		A112	028	4MX16				
0641				A112	029	CDB6	12			
0642	D	190		A112	030	4MX32				
0643				A112	031	CDB5	12			
0644	D	190		A112	032	4MY1				
0645				A112	033	CDB4	12			
0646	D	190		A112	034	4MY2				
0647				A112	035	CDB3	12			
	D	190		A112	036	4MY4				
				A112	037	CDB2	12			
	D	190		A112	038	4MY3				
				A112	039	CDB1	12			
				A112	040	4MY16				

MONITOR SYSTEMS INC
 CARD IMAGE LIST
 JOB NO 6758
 DATE FEB 24, 1976

EQUIPMENT 4 CHAN DUAL PROC I-O
 MODEL NO 5215-C
 DWG NO 735-5033 REV B
 ENGINEER D SNYDER

LINE	CARD	TYPE	Z	LOCN	PIN	TERM	SN	S	TP	DESCRIPTION
0703	D	192		A113	011	4CHAR				
0704				A113	012	YCLP4				
0705	D	192		A113	013	4COLR				
0706				A113	014	YCLP4				
0707	D	192		A113	015	4BLNK				
0708				A113	016	YGND4				
0709	D	192		A113	017	4INT				
0710				A113	018	YCLP4				
0711	D	192		A113	019	4 ROT				
0712	D	192		A113	020	4MX1				
0713	D	192		A113	022	4MX2				
0714	D	192		A113	023	FTGND				
0715	D	192		A113	024	4MX4				
0716				A113	025	VBLNK				
0717	D	192		A113	026	4MX8				
0718				A113	027	HBLNK				
0719	D	192		A113	028	4MX16				
0720	D	192		A113	030	4MX32				
0721	D	192		A113	032	4MY1				
0722	D	192		A113	034	4MY2				
0723	D	192		A113	036	4MY4				
0724	D	192		A113	038	4MY8				
0725	D	192		A113	040	4MY16				
0726	D	192		A113	042	4MY32				
0727				A113	043	BUS1	13			
0728	D	192		A113	044	4SB15				
0729				A113	045	BUS2	13			
0730	D	192		A113	046	4SB14				
0731				A113	047	BUS3	13			
0732	D	192		A113	048	4SB13				
0733				A113	049	BUS4	13			
0734	D	192		A113	050	4SB12				
0735				A113	051	BUS5	13			
0736	D	192		A113	052	4SB11				
0737				A113	053	BUS6	13			
0738	D	192		A113	054	4SB10				
0739				A113	055	BUS7	13			
0740	D	192		A113	056	4SB9				
0741		192		A113	057	BUS8				
0742	D	192		A113	058	4SB8				
0743				A113	059	BUS9	13			
0744	D	192		A113	060	4SB7				
0745				A113	061	BUS10	13			
0746	D	192		A113	062	4SB6				
0747				A113	063	BUS11	13			
0748	D	192		A113	064	4SB5				
0749				A113	065	BUS12	13			
0750	D	192		A113	066	4SB4				
0751				A113	067	BUS13	13			
0752	D	192		A113	068	4SB3				
0753				A113	069	BUS14	13			

C26

MONITOR SYSTEMS INC
 CARD IMAGE LIST
 JOB NO 6758
 DATE FEB 24, 1976

EQUIPMENT 4 CHAN DUAL PROC I-D
 MODEL NO 5215-C
 DWG NO 735-5033 REV B
 ENGINEER D SNYDER

LINE	CARD TYPE	Z	LOCN	PTN	TERM	SN	S	TP	DESCRIPTION
0653			A112	041	CDB0	12			
0654	D 190		A112	042	4MY32				
0655			A112	043	BUS1	12			
0656	D 190		A112	044	4SB15				
0657			A112	045	BUS2	12			
0658	D 190		A112	046	4SB14				
0659			A112	047	BUS3	12			
0660	D 190		A112	048	4SB13				
0661			A112	049	BUS4	12			
0662	D 190		A112	050	4SB12				
0663			A112	051	BUS5	12			
0664	D 190		A112	052	4SB11				
0665			A112	053	BUS6	12			
0666	D 190		A112	054	4SB10				
0667			A112	055	BUS7	12			
0668	D 190		A112	056	4SB9				
0669	190		A112	057	BUS8				
0670	D 190		A112	058	4SB8				
0671			A112	059	BUS9	12			
0672	D 190		A112	060	4SB7				
0673			A112	061	BUS10	12			
0674	D 190		A112	062	4SB6				
0675			A112	063	BUS11	12			
0676	D 190		A112	064	4SB5				
0677			A112	065	BUS12	12			
0678	D 190		A112	066	4SB4				
0679			A112	067	BUS13	12			
0680	D 190		A112	068	4SB3				
0681			A112	069	BUS14	12			
0682	D 190		A112	070	4SB2				
0683			A112	071	BUS15	12			
0684	D 190		A112	072	4SB1				
0685			A112	073	BUS16	12			
0686	D 190		A112	074	4SB0				
0687	D 190		A112	076	4INV				
0688	D 190		A112	078	4MCLK				
0689	D 190		A112	080	4CURC				
0690			A112	081	C1INT	12			
0691			A112	083	C2INT	12			
0692			A112	085	C3INT	12			
0693			A113	001	YCLP4				
0694			A113	002	YCLP4				
0695			A113	003	YCLP4				
0696			A113	004	YGND4				
0697			A113	005	YCLP4				
0698			A113	006	YCLP4				
0699			A113	007	YCLP4				
0700			A113	008	YCLP4				
0701			A113	009	YGND4				
0702			A113	010	YCLP4				

C-27

MONITOR SYSTEMS INC
 CARD IMAGE LIST
 JOB NO 6758
 DATE FEB 24, 1976

EQUIPMENT 4 CHAN DUAL PROC I-D
 MODEL NO 5215-C
 DWG NO 735-5033 REV B
 ENGINEER D SNYDER

LINE	CARD TYPE	Z	LOCN	PTN	TERM	SN	S	TP	DESCRIPTION
0754	D 192		A113	070	4SB2				
0755			A113	071	BUS15	13			
0756	D 192		A113	072	4SB1				
0757			A113	073	BUS16	13			
0758	D 192		A113	074	4SB3				
0759	D 192		A113	075	DSB1-				
0760	D 192		A113	076	4CURC				
0761	D 192		A113	077	DSB2-				
0762	D 192		A113	078	4INV				
0763	D 192		A113	079	DSB3-				
0764	D 192		A113	080	4MCLK				
0765	D 192		A113	081	DSB4-				
0766	D 192		A113	083	DSB5-				
0767			A113	084	DSGND	13			
0768	D 192		A113	085	DSTR-				
0769	D 193		A201	001	ADGD-				
0770	D 193		A201	005	5SB				
0771	D 193		A201	007	7SB				
0772	D 193		A201	011	RDCN-				
0773	D 193		A201	013	CHADL				
0774	D 193		A201	015	1SB				
0775			A201	017	BUS13	01			
0776			A201	019	BUS12	01			
0777			A201	021	BUS11	01			
0778			A201	023	BUS10	01			
0779			A201	025	BUS9	01			
0780			A201	027	BUS14	01			
0781	D 193		A201	029	PJR-				
0782	D 193		A201	031	8CI08				
0783			A201	033	BUS15	01			
0784			A201	035	BUS16	01			
0785	D 193		A201	037	4SB				
0786	D 193		A201	039	3SB				
0787	D 193		A201	041	AVCD-				
0788	D 193		A201	043	TXSTL				
0789	D 193		A201	045	6SB				
0790	D 193		A201	047	3CI08				
0791	D 193		A201	049	4CI08				
0792	D 193		A201	051	2CI08				
0793	D 193		A201	053	1CI08				
0794	D 193		A201	055	TMPR-				
0795	D 193		A201	057	23				
0796	D 193		A201	060	AKISS				
0797	D 193		A201	062	2FLAG				
0798	D 193		A201	063	B7CID				
0799	D 193		A201	065	B5CID				
0800	D 193		A201	067	B6CID				
0801	D 193		A201	069	-FFX				
0802	D 193		A201	071	RDWD-				
0803	D 193		A201	073	5FLAG				

MONITOR SYSTEMS INC EQUIPMENT 4 CHAN DUAL PROC I-O
 CARD IMAGE LIST MODEL NO 5215-C
 JOB NO 6758 DWG NO 735-5033 REV8
 DATE FEB 24, 1976 ENGINEER D SNYDER
 LINE CARD TYPE Z LCCN PIN TERM SN S TP DESCRIPTION

LINE	CARD TYPE	Z	LCCN	PIN	TERM	SN	S	TP	DESCRIPTION
0804			A202	001	BUS2	02			
0805			A202	003	BUS4	02			
0806			A202	005	3S8	02			
0807		0 194	A202	006	CDB2	02			
0808			A202	007	CDB3	04			
0809		0 194	A202	009	4S8	02			
0810			A202	010	RUS3	02			
0811			A202	011	CDB0	02			
0812		0 194	A202	012	1C10B	02			
0813			A202	013	CDB1	02			
0814			A202	014	CDB6	02			
0815			A202	015	CDB7	02			
0816		0 194	A202	016	8S8	02			
0817		0 194	A202	017	DSR2-	02			
0818		0 194	A202	018	7S94-	02			
0819			A202	019	BUS1	02			
0820		0 194	A202	020	5S8	02			
0821		0 194	A202	021	DSB1-	02			
0822			A202	022	CDB4	02			
0823		0 194	A202	023	11INS	02			
0824		0 194	A202	024	DS38-	02			
0825			A202	025	CDB5	02			
0826		0 194	A202	026	8C10B	02			
0827			A202	027	CDB12	02			
0828			A202	028	CDB13	02			
0829		0 194	A202	029	HPR0T	02			
0830		0 194	A202	030	ASTB-	02			
0831			A202	031	CDB14	02			
0832			A202	032	CDB15	02			
0833		0 194	A202	033	DSTB-	02			
0834		0 194	A202	034	DTAV-	02			
0835		0 194	A202	035	6S8	02			
0836		0 194	A202	036	DSGND	02			
0837		0 194	A202	038	3C10B	02			
0838			A202	039	CDB10	02			
0839		0 194	A202	040	2C10A	02			
0840			A202	041	CDB9	02			
0841			A202	042	BUS6	02			
0842		0 194	A202	043	BUS14	02			
0843		0 194	A202	044	SSB3-	02			
0844			A202	045	SSB2	02			
0845			A202	046	SSB1-	02			
0846		0 194	A202	047	DSB5-	02			
0847		0 194	A202	048	RDC0-	02			
0848			A202	049	CDB8	02			
0849		0 194	A202	050	B5C1D	02			
0850			A202	051	BUS13	02			
0851			A202	052	CDB11	02			
0852			A202	053	RUS5	02			
0853		0 194	A202	054	87C1D	02			

MONITOR SYSTEMS INC EQUIPMENT 4 CHAN DUAL PROC I-O
 CARD IMAGE LIST MODEL NO 5215-C
 JOB NO 6758 DWG NO 735-5033 REV8
 DATE FEB 24, 1976 ENGINEER D SNYDER
 LINE CARD TYPE Z LCCN PIN TERM SN S TP DESCRIPTION

LINE	CARD TYPE	Z	LCCN	PIN	TERM	SN	S	TP	DESCRIPTION
0904			A203	062	FLAG2	04			
0905			A203	063	C1DB7	04			
0906			A203	065	C1DR5	04			
0907			A203	067	C1DB6	04			
0908		0 193	A203	069	FEX-	04			
0909			A203	071	CWRDY	04			
0910			A203	073	FLAG5	04			
0911			A204	001	BUS2	04			
0912			A204	003	RUS4	04			
0913		0 194	A204	005	5S3	04			
0914			A204	006	CDB2	04			
0915			A204	007	CDB3	04			
0916		0 104	A204	009	S84	04			
0917			A204	010	RUS3	04			
0918			A204	011	CDB9	04			
0919		0 194	A204	012	C1DB1	04			
0920			A204	013	CDB1	04			
0921			A204	014	CDB6	04			
0922			A204	015	CDB7	04			
0923		0 194	A204	016	S88	04			
0924		0 194	A204	017	DSB2-	04			
0925		0 194	A204	018	DSR4-	04			
0926			A204	019	RUS1	04			
0927			A204	020	S85	04			
0928		0 194	A204	021	DSB1-	04			
0929		0 194	A204	022	CDB4	04			
0930		0 194	A204	023	INS11	04			
0931		0 194	A204	024	DS38-	04			
0932			A204	025	CDB5	04			
0933		0 194	A204	026	C1DB8	04			
0934			A204	027	CDB12	04			
0935			A204	028	CDB13	04			
0936		0 194	A204	029	HPR0T	04			
0937		0 194	A204	030	ASTB-	04			
0938			A204	031	CDB14	04			
0939			A204	032	CDB15	04			
0940		0 194	A204	033	DSTB-	04			
0941		0 194	A204	034	DTAV-	04			
0942		0 194	A204	035	S86	04			
0943			A204	036	DSGND	04			
0944		0 194	A204	038	C1DB3	04			
0945			A204	039	CDB10	04			
0946		0 194	A204	040	C1DB2	04			
0947			A204	041	CDB9	04			
0948			A204	042	BUS6	04			
0949			A204	043	RUS14	04			
0950		0 194	A204	044	SSB3-	04			
0951		0 194	A204	045	SSB2	04			
0952		0 194	A204	046	SSB1-	04			
0953		0 194	A204	047	DSB5-	04			

MONITOR SYSTEMS INC
 CARD IMAGE LIST
 JOB NO 6758
 DATE FEB 24, 1976

EQUIPMENT 4 CHAN DUAL PROC I-D
 MODEL NO 5215-C
 DWG NO 735-5033 REV8
 ENGINEER D SNYDER

LINE	CARD	TYPE	Z	LOCN	PIN	TERM	SN	S	TP	DESCRIPTION
0854				A202	055	BUS16	02			
0855		194		A202	056	RCRC-				
0856		194		A202	057	AS3				
0857		194		A202	058	AKISS				
0858		194		A202	059	AS1				
0859		194		A202	060	ADST-				
0860		194		A202	061	TMPR-				
0861		194		A202	062	WD1ST				
0862		194		A202	063	4CIDB				
0863		194		A202	064	WDSLT				
0864		194		A202	065	AS2				
0865		194		A202	066	FGER-				
0866		194		A202	067	SSB4				
0867		194		A202	068	-RINT				
0868				A202	069	BUS15	02			
0869		194		A202	070	ADRF-				
0870		194		A202	071	7SB				
0871		194		A202	072	CHGST				
0872		194		A202	073	86CID				
0873		194		A202	074	2FLAG				
0874				A202	075	BUS7	02			
0875		194		A202	076	5FLAG				
0876				A203	001	GDAD-				
0877				A203	005	S85				
0878				A203	007	S87				
0879				A203	011	CORDY				
0880				A203	013	LDCAG				
0881				A203	015	S81				
0882				A203	017	BUS13	03			
0883				A203	019	BUS12	03			
0884				A203	021	BUS11	03			
0885				A203	023	BUS10	03			
0886				A203	025	BUS9	03			
0887				A203	027	BUS14	03			
0888		D 193		A203	029	PUR-				
0889				A203	031	CID48				
0890				A203	033	BUS15	03			
0891				A203	035	BUS16	03			
0892				A203	037	S94				
0893				A203	039	S83				
0894				A203	041	CDA-				
0895				A203	043	LDTSM				
0896				A203	045	S86				
0897				A203	047	CID83				
0898				A203	049	CID84				
0899				A203	051	CID82				
0900				A203	053	CID81				
0901				A203	055	PRTM-				
0902				A203	057	B2				
0903				A203	060	ACK				

MONITOR SYSTEMS INC
 CARD IMAGE LIST
 JOB NO 6758
 DATE FEB 24, 1976

EQUIPMENT 4 CHAN DUAL PROC I-D
 MODEL NO 5215-C
 DWG NO 735-5033 REV8
 ENGINEER D SNYDER

LINE	CARD	TYPE	Z	LOCN	PIN	TERM	SN	S	TP	DESCRIPTION
0954		D 194		A204	048	CORBY				
0955				A204	049	COR8	04			
0956		D 194		A204	050	CID85				
0957				A204	051	BUS13	04			
0958				A204	052	COR11	04			
0959				A204	053	BUS5	04			
0960		D 194		A204	054	CID87				
0961				A204	055	BUS16	04			
0962		D 194		A204	056	RLRC				
0963		D 194		A204	057	AS3				
0964		D 194		A204	058	ACK				
0965		D 194		A204	059	AS1				
0966		D 194		A204	060	STBAD				
0967		D 194		A204	061	PRTM-				
0968		D 194		A204	062	1STW0				
0969				A204	063	CID84				
0970		D 194		A204	064	LSTW0				
0971		D 194		A204	065	AS2				
0972		D 194		A204	066	FERR-				
0973		D 194		A204	067	SSB4				
0974		D 194		A204	068	RINT-				
0975				A204	069	BUS15	04			
0976		D 194		A204	070	RGDAD				
0977		D 194		A204	071	S87				
0978		D 194		A204	072	PRSCH				
0979		D 194		A204	073	CID86				
0980		D 194		A204	074	FLAG2				
0981				A204	075	BUS7	04			
0982		D 194		A204	076	FLAG5				
0983				A204	079	AVGND				
0984		D 191		A205	001	7RS1				
0985		D 191		A205	003	7RS2				
0986		D 191		A205	005	7RS3				
0987		D 191		A205	007	RYGND				
0988		D 191		A205	009	PUR-				
0989		D 191		A205	011	PUR-				
0990		D 191		A205	013	PUR-				
0991		D 191		A205	015	PUR-				
0992		D 191		A205	017	PUR-				
0993		D 191		A205	037	S004				
0994		D 191		A205	041	S004				
0995				A205	043	RPFLD				
0996		D 191		A205	045	RY2-				
0997		D 191		A205	047	RY1-				
0998		D 191		A205	049	RY4-				
0999		D 191		A205	051	RY32-				
1000		D 191		A205	053	RY16-				
1001		D 191		A205	055	RY8-				
1002		D 191		A205	059	6JBR				
1003		D 191		A205	061	CURBR				

MONITOR SYSTEMS INC
 CARD IMAGE LIST
 JOB NO 6758
 DATE FEB 24, 1976

EQUIPMENT 4 CHAN DUAL PROC I-D
 MODEL NO 5215-C
 DWG NO 735-5033 REV B
 ENGINEER D SNYDER

LINE	CARD	TYPE	Z	LOCN	PIN	TERM	SN	S	TP	DESCRIPTION
1004	D	191		A205	063	SYNC				
1005	D	191		A205	065	BLANK				
1006	D	191		A205	074	RFSET				
1007	D	191		A205	076	VRTDR				
1008	D	191		A205	079	RYGND				
1009	D	191		A205	080	RPFLD				
1010				A206	001	C3MON				
1011				A206	003	C2MON				
1012				A206	007	C4RED				
1013				A206	009	C3RED				
1014	D	190		A206	011	IID				
1015				A206	013	C2RED				
1016				A206	017	C4GRN				
1017				A206	018	C4MON				
1018				A206	019	C3GRN				
1019	D	190		A206	020	1WRM				
1020	D	190		A206	021	1SCUR				
1021	D	190		A206	022	1SSA				
1022				A206	023	C2GRN				
1023	D	190		A206	024	1SSB				
1024	D	190		A206	026	1MKBD				
1025				A206	027	C4BLU				
1026	D	190		A206	028	1MBR				
1027				A206	029	C3BLU				
1028	D	190		A206	030	1DEB				
1029				A206	031	C2BLU				
1030	D	190		A206	032	1BXFR				
1031	D	190		A206	034	1BCLK				
1032				A206	035	C4ORG				
1033	D	190		A206	036	1RCBD				
1034				A206	037	C3ORG				
1035	D	190		A206	038	1B0B1				
1036				A206	039	CH1AC				
1037	D	190		A206	040	C8UFB				
1038	D	190		A206	041	CURBR				
1039	D	190		A206	042	C8UFA				
1040	D	190		A206	044	RY1-				
1041	D	190		A206	046	1LMBR				
1042	D	190		A206	047	1KBLK				
1043	D	190		A206	048	7RS3				
1044	D	190		A206	050	7RS2				
1045				A206	051	C4INT				
1046	D	190		A206	052	7RS1				
1047				A206	053	C1ORG				
1048	D	190		A206	054	SYNC				
1049				A206	055	C2ORG				
1050	D	190		A206	056	BLANK				
1051				A206	057	C1INT				
1052				A206	059	C1GRN				
1053	D	190		A206	060	9RS1-				

MONITOR SYSTEMS INC
 CARD IMAGE LIST
 JOB NO 6758
 DATE FEB 24, 1976

EQUIPMENT 4 CHAN DUAL PROC I-D
 MODEL NO 5215-C
 DWG NO 735-5033 REV B
 ENGINEER D SNYDER

LINE	CARD	TYPE	Z	LOCN	PIN	TERM	SN	S	TP	DESCRIPTION
1104	D	192		A207	048	1LMRR				
1105	D	192		A207	049	ASTB-				
1106	D	192		A207	050	1SCUR				
1107	D	192		A207	051	BS16-				
1108	D	192		A207	053	XFULL				
1109				A207	054	AVGND				
1110	D	192		A207	055	YFULL				
1111	D	192		A207	059	NINT-				
1112	D	192		A207	061	B4-				
1113	D	192		A207	063	B3-				
1114	D	192		A207	065	B2-				
1115	D	192		A207	067	B1-				
1116	D	192		A207	071	B5-				
1117	D	192		A207	075	PUR-				
1118	D	192		A207	080	1GND				
1119				A208	001	C3MON				
1120				A208	005	C1MON				
1121				A208	007	C4RED				
1122				A208	009	C3RED				
1123	D	190		A208	011	2ID				
1124				A208	015	C1RED				
1125				A208	017	C4GRN				
1126				A208	018	C4MON				
1127				A208	019	C3GRN				
1128	D	190		A208	020	2WRM				
1129	D	190		A208	021	2SCUR				
1130	D	190		A208	022	2SSA				
1131	D	190		A208	024	2SSB				
1132				A208	025	C1GRN				
1133	D	190		A208	026	2MKBD				
1134				A208	027	C4BLU				
1135	D	190		A208	028	2MBR				
1136				A208	029	C3BLU				
1137	D	190		A208	030	2DER				
1138	D	190		A208	032	2BXFR				
1139				A208	033	C1BLU				
1140	D	190		A208	034	2RCLK				
1141				A208	035	C4ORG				
1142	D	190		A208	036	2RCBD				
1143				A208	037	C3ORG				
1144	D	190		A208	038	2B0B1				
1145				A208	039	CH2AC				
1146	D	190		A208	040	C8UFB				
1147	D	190		A208	041	CURRR				
1148	D	190		A208	042	C8UFA				
1149	D	190		A208	044	RY1-				
1150	D	190		A208	046	2LMBR				
1151	D	190		A208	047	2KBLK				
1152	D	190		A208	048	7RS3				
1153				A208	049	C1ORG				

C-30

MONITOR SYSTEMS INC
 CARD IMAGE LIST
 JCR NO 8758
 DATE FEB 24, 1976
 LINE CARD TYPE Z

EQUIPMENT 4 CHAN DUAL PROC I-O
 MODEL NO 5215-C
 DWG NO 735-5033 REV8
 ENGINEER D SNYDER
 SN S TP DESCRIPTION

LINE	CARD TYPE	Z	LOCN	PIN	TERM	SN	S	TP	DESCRIPTION
1054			A206	061	CIRE0				
1055			A206	062	9RS2-				
1056			A206	063	C1BLU				
1057			A206	064	7RS3-				
1058			A206	065	CLMDN				
1059			A206	066	9RS4-				
1060			A206	075	PUR-				
1061			A206	076	60BR				
1062			A207	001	RY32-				
1063			A207	002	DTAV-				
1064			A207	003	RY2-				
1065			A207	004	FFX				
1066			A207	005	RY4-				
1067			A207	006	RKDA-				
1068			A207	007	RY8-				
1069			A207	008	CLKPR				
1070			A207	009	RY16-				
1071			A207	010	IID				
1072			A207	011	RY1-				
1073			A207	012	CH1TP				
1074			A207	013	RX16-				
1075			A207	015	RY32-				
1076			A207	017	RX64-				
1077			A207	019	RX1-				
1078			A207	020	IWRM				
1079			A207	021	RX2-				
1080			A207	022	ISSA				
1081			A207	023	RX4-				
1082			A207	024	ISSB				
1083			A207	025	RX8-				
1084			A207	026	IMKRD				
1085			A207	027	RFFTH				
1086			A207	028	IMBR				
1087			A207	030	IDEH				
1088			A207	031	SSR1-				
1089			A207	032	IBXFR				
1090			A207	033	SSR2				
1091			A207	034	IRC8D				
1092			A207	035	SS93-				
1093			A207	036	IRCLK				
1094			A207	037	SS84				
1095			A207	038	IBOBI				
1096			A207	039	CH1AC				
1097			A207	040	IKBLK				
1098			A207	041	HPR0T				
1099			A207	043	AS1				
1100			A207	044	CI-				
1101			A207	045	AS2				
1102			A207	046	IGND				
1103			A207	047	AS3				

LINE	CARD TYPE	Z	LOCN	PIN	TERM	SN	S	TP	DESCRIPTION
1154			A208	050	7RS2				
1155			A208	051	C4INT				
1156			A208	052	7RS1				
1157			A208	053	C20RG				
1158			A208	054	SYNC				
1159			A208	056	BLANK				
1160			A208	057	C2INT				
1161			A208	059	C2GRN				
1162			A208	060	9RS1-				
1163			A208	061	C2RED				
1164			A208	062	9RS2-				
1165			A208	063	C2BLU				
1166			A208	064	7RS3-				
1167			A208	065	C2MDN				
1169			A208	066	9RS4-				
1170			A208	075	PUR-				
1170			A208	076	60BR				
1171			A209	001	RY32-				
1172			A209	002	DTAV-				
1173			A209	003	RY2-				
1174			A209	004	FFX				
1175			A209	005	RY4-				
1176			A209	006	RKDA-				
1177			A209	007	RY8-				
1178			A209	008	C2KPR				
1179			A209	009	RY16-				
1180			A209	010	2ID				
1181			A209	011	RY1-				
1182			A209	012	CH2TP				
1183			A209	013	RX16-				
1184			A209	015	RX32-				
1185			A209	017	RX64-				
1186			A209	019	RX1-				
1187			A209	020	2WRM				
1188			A209	021	RX2-				
1189			A209	022	2SSA				
1190			A209	023	RX4-				
1191			A209	024	2SSB				
1192			A209	025	RX8-				
1193			A209	026	2MKRD				
1194			A209	027	REFTM				
1195			A209	028	2WBR				
1196			A209	030	2DEB				
1197			A209	031	SSB1-				
1198			A209	032	2BXFR				
1199			A209	033	SSA2				
1200			A209	034	2RCRD				
1201			A209	035	SSB3-				
1202			A209	036	2RCLK				
1203			A209	037	SSB4				

MONITOR SYSTEMS INC
 CARD IMAGE LIST
 JOB NO 6758
 DATE FEB 24, 1976

EQUIPMENT 4 CHAN DUAL PROC I-D
 MODEL NO 5215-C
 DWG NO 735-5033 REVB
 ENGINEER D SNYDER

LINE	CARD	TYPE	Z	LOCN	PIN	TERM	SN	S	TP	DESCRIPTION
1204	D	192		A209	038	2R0B1				
1205	D	192		A209	039	CH2AC				
1206	D	192		A209	040	2KBLK				
1207	D	192		A209	041	HPR0T				
1208	D	192		A209	043	AS1				
1209				A209	044	C2-				
1210	D	192		A209	045	AS2				
1211	D	192		A209	046	2GND				
1212	D	192		A209	047	A53				
1213	D	192		A209	048	2LMBR				
1214	D	192		A209	049	ASTB-				
1215	D	192		A209	050	2SCUR				
1216	D	192		A209	051	BS16-				
1217	D	192		A209	053	XFULL				
1218				A209	054	AVGND				
1219	D	192		A209	055	YFULL				
1220	D	192		A209	059	NINT-				
1221	D	192		A209	061	B4-				
1222	D	192		A209	063	B3-				
1223	D	192		A209	065	B2-				
1224	D	192		A209	067	B1-				
1225	D	192		A209	071	B5-				
1226	D	192		A209	075	PUR-				
1227	D	192		A209	080	2GND				
1228				A210	003	C2MON				
1229				A210	005	C1MON				
1230				A210	007	C4RFD				
1231	D	190		A210	011	3ID				
1232				A210	013	C2RED				
1233				A210	015	C1RED				
1234				A210	017	C4GRN				
1235				A210	018	C4MON				
1236	D	190		A210	020	3WRM				
1237	D	190		A210	021	3SCUR				
1238	D	190		A210	022	3SSA				
1239				A210	023	C2GRN				
1240	D	190		A210	024	3SSB				
1241				A210	025	C1GRN				
1242				A210	026	3MKBD				
1243				A210	027	C4BLU				
1244	D	190		A210	028	3MBR				
1245	D	190		A210	030	3DEB				
1246				A210	031	C2BLU				
1247	D	190		A210	032	3RFR				
1248				A210	033	C1BLU				
1249	D	190		A210	034	3RCLK				
1250				A210	035	C4ORG				
1251	D	190		A210	036	3RCBD				
1252	D	190		A210	038	3R0B1				
1253				A210	039	CH3AC				

MONITOR SYSTEMS INC
 CARD IMAGE LIST
 JOB NO 6758
 DATE FEB 24, 1976

EQUIPMENT 4 CHAN DUAL PROC I-D
 MODEL NO 5215-C
 DWG NO 735-5033 REVB
 ENGINEER D SNYDER

LINE	CARD	TYPE	Z	LOCN	PIN	TERM	SN	S	TP	DESCRIPTION
1304	D	192		A211	028	3MBR				
1305	D	192		A211	030	3DEB				
1306	D	192		A211	031	SSB1-				
1307	D	192		A211	032	3RFR				
1308	D	192		A211	033	SSB2				
1309	D	192		A211	034	3RCBD				
1310	D	192		A211	035	SSB3-				
1311	D	192		A211	036	3RCLK				
1312	D	192		A211	037	SSB4				
1313	D	192		A211	038	3R0B1				
1314	D	192		A211	039	CH3AC				
1315	D	192		A211	040	3KBLK				
1316	D	192		A211	041	HPR0T				
1317	D	192		A211	043	AS1				
1318	D	192		A211	044	C3-				
1319	D	192		A211	045	AS2				
1320	D	192		A211	046	3GND				
1321	D	192		A211	047	AS3				
1322	D	192		A211	048	3LMBR				
1323	D	192		A211	049	ASTB-				
1324	D	192		A211	050	3SCUR				
1325	D	192		A211	051	BS16-				
1326	D	192		A211	053	XFULL				
1327				A211	054	AVGND				
1328	D	192		A211	055	YFULL				
1329	D	192		A211	059	NINT-				
1330	D	192		A211	061	B4-				
1331	D	192		A211	063	B3-				
1332	D	192		A211	065	B2-				
1333	D	192		A211	067	B1-				
1334	D	192		A211	071	B5-				
1335	D	192		A211	075	PUR-				
1336	D	192		A211	080	3GND				
1337				A212	001	C3MON				
1338				A212	003	C2MON				
1339				A212	005	C1MON				
1340				A212	009	C3RED				
1341	D	190		A212	011	4ID				
1342				A212	013	C2RFD				
1343				A212	015	C1RED				
1344				A212	019	C3GRN				
1345	D	190		A212	020	4WRM				
1346	D	190		A212	021	4SCUR				
1347	D	190		A212	022	4SSA				
1348				A212	023	C2GRN				
1349	D	190		A212	024	4SSB				
1350				A212	025	C1GRN				
1351	D	190		A212	026	4MKBD				
1352	D	190		A212	028	4MBR				
1353				A212	029	C3BLU				

C-32

MONITOR SYSTEMS INC
 CARD IMAGE LIST
 JOB NO 6758
 DATE FEB 24, 1976

EQUIPMENT 4 CHAN DUAL PROC I-O
 MODEL NO 5215-C
 DWG NO 735-5033 REV B
 ENGINEER D SNYDER

LINE	CARD	TYPE	Z	LOCN	PIN	TERM	SN	S	TP	DESCRIPTION
1254	D	190		A210	040	CBUFB				
1255	D	190		A210	041	CURBR				
1256	D	190		A210	042	CBUFA				
1257	D	190		A210	044	RY1-				
1258	D	190		A210	046	3LMBR				
1259	D	190		A210	047	3KBLK				
1260	D	190		A210	048	7RS3				
1261				A210	049	C1ORG				
1262	D	190		A210	050	7RS2				
1263				A210	051	C4INT				
1264	D	190		A210	052	7RS1				
1265				A210	053	C3ORG				
1266	D	190		A210	054	SYNC				
1267				A210	055	C2ORG				
1268	D	190		A210	056	BLANK				
1269				A210	057	C3INT	10			
1270				A210	059	C3GRN				
1271	D	190		A210	060	9RS1-				
1272				A210	061	C3RED				
1273	D	190		A210	062	9RS2-				
1274				A210	063	C3BLU				
1275	D	190		A210	064	7RS3-				
1276				A210	065	C3MON				
1277	D	190		A210	066	9RS4-				
1278	D	190		A210	075	PUR-				
1279	D	190		A210	076	60BR				
1280	D	192		A211	001	RY32-				
1281	D	192		A211	002	DTAV-				
1282	D	192		A211	003	RY2-				
1283	D	192		A211	004	FEX				
1284	D	192		A211	005	RY4-				
1285	D	192		A211	006	RKDA-				
1286	D	192		A211	007	RY8-				
1287	D	192		A211	008	C3KPR				
1288	D	192		A211	009	RY16-				
1289	D	192		A211	010	3ID				
1290	D	192		A211	011	RY1-				
1291	D	192		A211	012	CH3TP				
1292	D	192		A211	013	RX16-				
1293	D	192		A211	015	RX32-				
1294	D	192		A211	017	RX64-				
1295	D	192		A211	019	RX1-				
1296	D	192		A211	020	3WR4				
1297	D	192		A211	021	RX2-				
1298	D	192		A211	022	3SSA				
1299	D	192		A211	023	RX4-				
1300	D	192		A211	024	3SSB				
1301	D	192		A211	025	RX8-				
1302				A211	026	3MK8D				
1303	D	192		A211	027	REFTM				

C-33

MONITOR SYSTEMS INC
 CARD IMAGE LIST
 JOB NO 6758
 DATE FEB 24, 1976

EQUIPMENT 4 CHAN DUAL PROC I-O
 MODEL NO 5215-C
 DWG NO 735-5033 REV B
 ENGINEER D SNYDER

LINE	CARD	TYPE	Z	LOCN	PIN	TERM	SN	S	TP	DESCRIPTION
1354	D	190		A212	030	4DEB				
1355				A212	031	C2BLU				
1356	D	190		A212	032	4BXFR				
1357				A212	033	C1BLU				
1358	D	190		A212	034	48CLK				
1359	D	190		A212	036	4RC8D				
1360				A212	037	C3ORG				
1361	D	190		A212	038	4B0B1				
1362				A212	039	CH4AC				
1363	D	190		A212	040	CBUFB				
1364	D	190		A212	041	CURBR				
1365	D	190		A212	042	CBUFA				
1366	D	190		A212	044	RY1-				
1367	D	190		A212	046	4LMBR				
1368	D	190		A212	047	4KBLK				
1369	D	190		A212	048	7RS3				
1370				A212	049	C1ORG				
1371	D	190		A212	050	7RS2				
1372	D	190		A212	052	7RS1				
1373				A212	053	C4ORG				
1374	D	190		A212	054	SYNC				
1375				A212	055	C2ORG				
1376	D	190		A212	056	BLANK				
1377				A212	057	C4INT				
1378				A212	059	C4GRN				
1379	D	190		A212	060	9RS1-				
1380				A212	061	C4RED				
1381	D	190		A212	062	9RS2-				
1382				A212	063	C4BLU				
1383	D	190		A212	064	7RS3-				
1384				A212	065	C4MON				
1385	D	190		A212	066	9RS4-				
1386	D	190		A212	075	PUR-				
1387	D	190		A212	076	60BR				
1388	D	192		A213	001	RY32-				
1389	D	192		A213	002	DTAV-				
1390	D	192		A213	003	RY2-				
1391	D	192		A213	004	FEX				
1392	D	192		A213	005	RY4-				
1393	D	192		A213	006	RKDA-				
1394	D	192		A213	007	RY8-				
1395	D	192		A213	008	C4KPR				
1396	D	192		A213	009	RY16-				
1397	D	192		A213	010	4ID				
1398	D	192		A213	011	RY1-				
1399	D	192		A213	012	CH4TP				
1400	D	192		A213	013	RX16-				
1401	D	192		A213	015	RX32-				
1402	D	192		A213	017	RX64-				
1403	D	192		A213	019	RX1-				

MONITOR SYSTEMS INC
CARD IMAGE LIST
JOB NO 6758
DATE FEB 24, 1976

EQUIPMENT 4 CHAN DUAL PROC T-D
MODEL NO 5215-C
DWG NO 735-5033 REV B
ENGINEER D SNYDER

LINE	CARD	TYPE	Z	LOCN	PIN	TERM	SN	S	TP	DESCRIPTION
1404	D	192		A213	020	4WRM				
1405	D	192		A213	021	RX2-				
1406	D	192		A213	022	4SSA				
1407	D	192		A213	023	RX4-				
1408	D	192		A213	024	4SSB				
1409	D	192		A213	025	RX8-				
1410	D	192		A213	026	4MK3D				
1411	D	192		A213	027	REFTM				
1412	D	192		A213	028	4MBR				
1413	D	192		A213	030	4DEB				
1414	D	192		A213	031	SSB1-				
1415	D	192		A213	032	4BXFR				
1416	D	192		A213	033	SSB2				
1417	D	192		A213	034	4RCBD				
1418	D	192		A213	035	SSB3-				
1419	D	192		A213	036	4BCLK				
1420	D	192		A213	037	SSB4				
1421	D	192		A213	038	4BDB1				
1422	D	192		A213	039	CH4AC				
1423	D	192		A213	040	4KBLK				
1424	D	192		A213	041	HPROT				
1425	D	192		A213	043	AS1				
1426	D	192		A213	044	C4-				
1427	D	192		A213	045	AS2				
1428	D	192		A213	046	4GND				
1429	D	192		A213	047	AS3				
1430	D	192		A213	048	4LMBR				
1431	D	192		A213	049	ASTB-				
1432	D	192		A213	050	4SCUR				
1433	D	192		A213	051	BS16-				
1434	D	192		A213	053	XFULL				
1435	D	192		A213	054	AVGND				
1436	D	192		A213	055	YFULL				
1437	D	192		A213	059	NINT-				
1438	D	192		A213	061	B4-				
1439	D	192		A213	063	B3-				
1440	D	192		A213	065	B2-				
1441	D	192		A213	067	B1-				
1442	D	192		A213	071	B5-				
1443	D	192		A213	075	PUR-				
1444	D	192		A213	079	FTGND				
1445	D	192		A213	080	4GND				